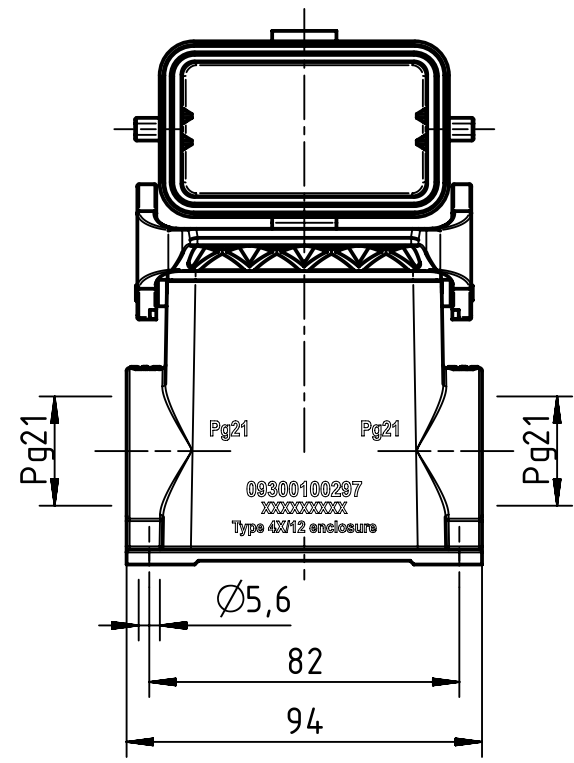
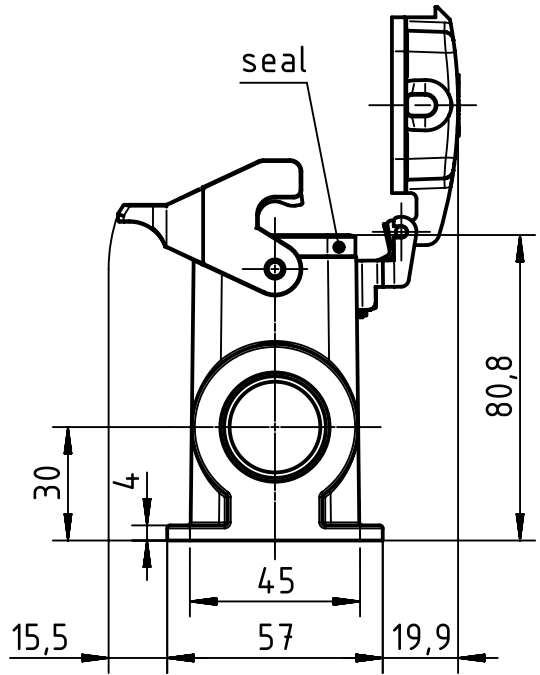
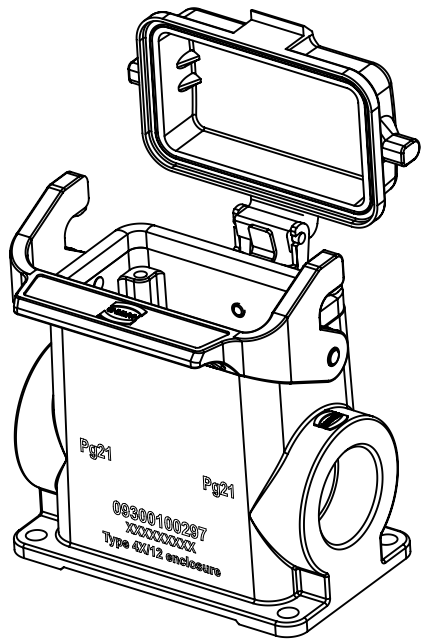


A

B

C

D



| | | | | | | | | |
|---|--|--|--|--------------------------|---------------------------|--------------------|--|-------------|
| | All Dimensions in mm Original Size DIN A4 | | Scale 1:2 | Free size tol. | | Ref. | | |
| | | | | | | Sub. | | |
| | All rights reserved | | Created by SPRENB | Inspected by GERB | Standardisation GARSKE | Date 2019-12-04 | State Final Release | |
| | Department EL PD | | Title Han B Base SM HC 1 Lever plastic Pg21 | | | | Doc-Key / ECM-Nr. 100208938/UGD/004/C 500000161045 | |
| HARTING Electric GmbH & Co. KG D-32339 Espelkamp | | | Type TB | Number 09 30 010 0297 | | | Rev. C | Page 1/1 |