

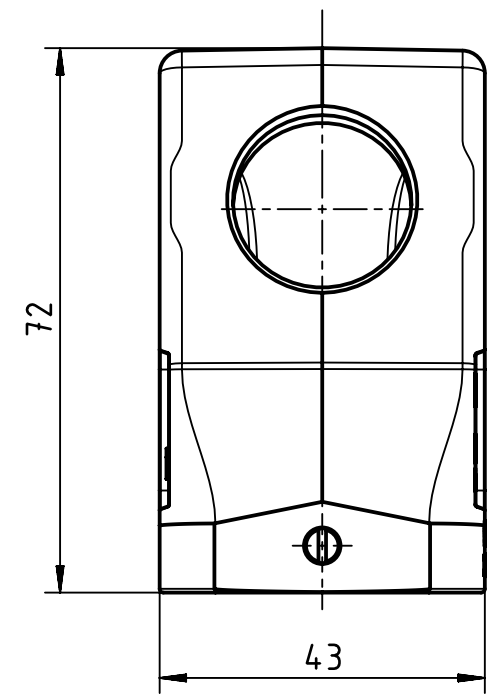
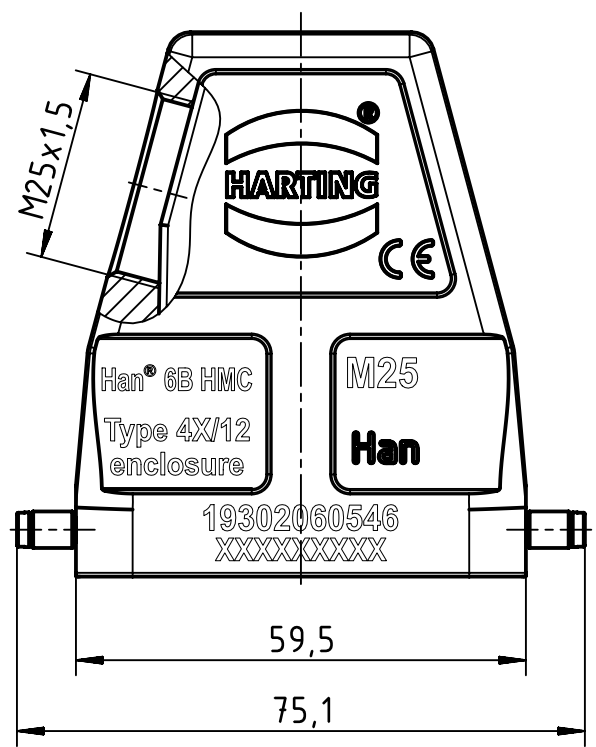
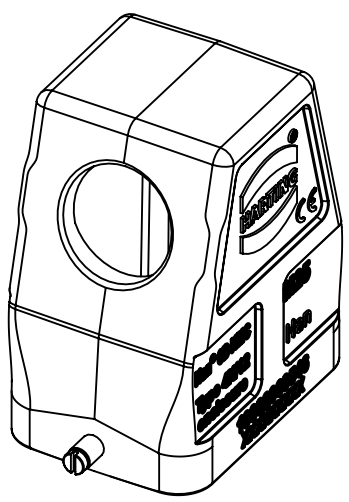
1 2 3 4 5 6

A

B

C

D



	All Dimensions in mm Original Size DIN A4		Scale 1:1	Free size tol.		Ref.
						Sub.
	All rights reserved		Created by RULLKOETTER	Inspected by GERB	Standardisation GARSKE	Date 2020-06-29
	Department EL PD		Title Han 6B-HMC-HSE-R-M25			State Approved
HARTING Electric GmbH & Co. KG D-32339 Espelkamp			Type TB	Number 19 30 206 0546		Doc-Key / ECM-Nr. 100705859/UGD/004/D 500000174834
					Rev. D	Page 1/1