

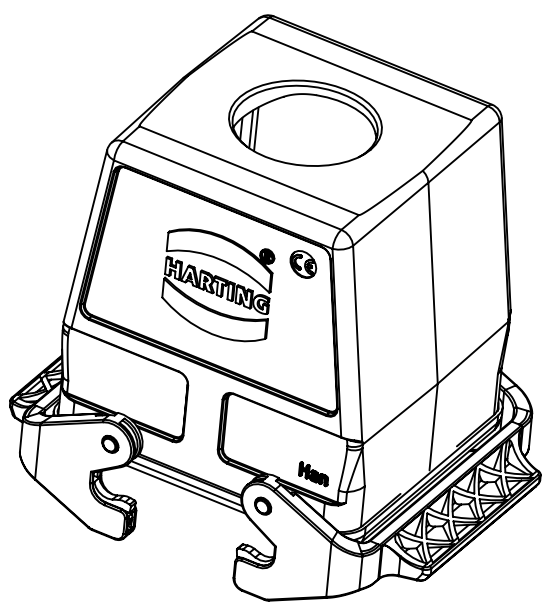
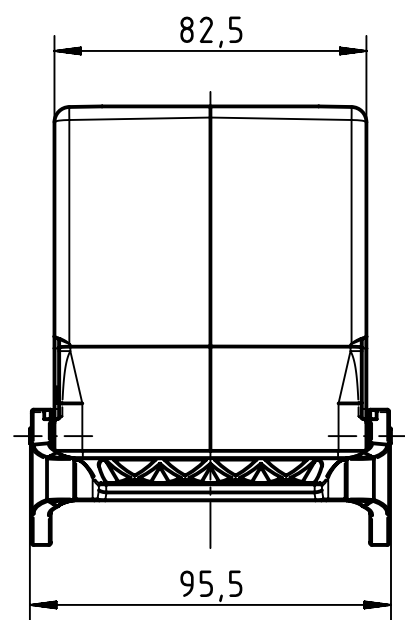
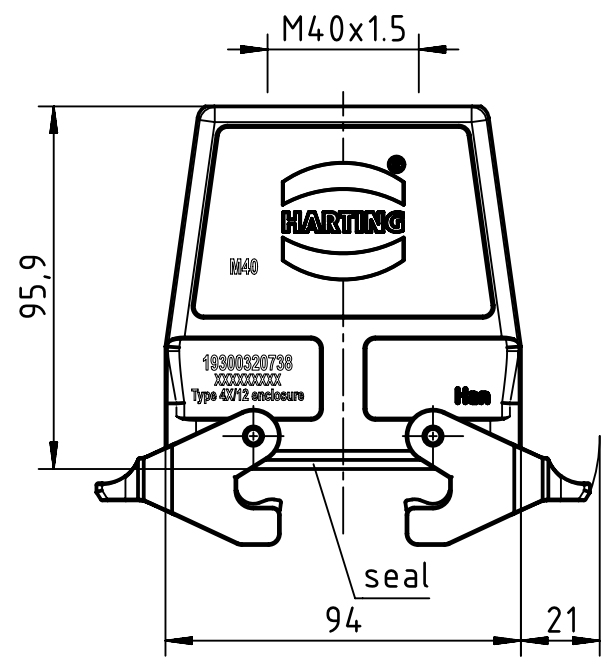
1 2 3 4 5 6

A

B

C

D



	All Dimensions in mm Original Size DIN A4		Scale 1:2	Free size tol.		Ref.
						Sub.
	All rights reserved		Created by HELLMANN	Inspected by GERB	Standardisation RUETERA	Date 2020-07-13
	Department EL PD					State Final Release
HARTING Electric GmbH & Co. KG D-32339 Espelkamp			Title Han 32B-kg-QB-M40			Doc-Key / ECM-Nr. 100186155/UGD/004/D 500000172225
			Type TB	Number 19 30 032 0738		Rev. D
						Page 1/1