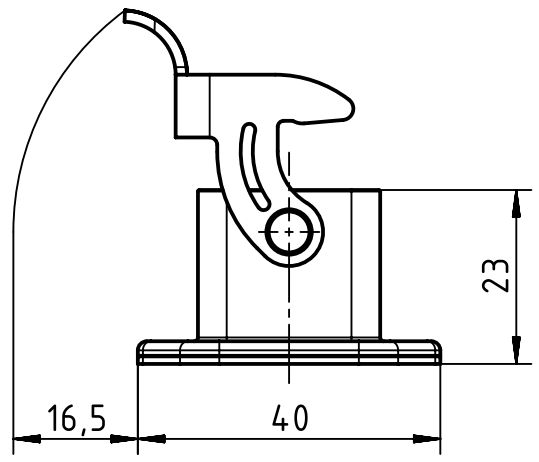
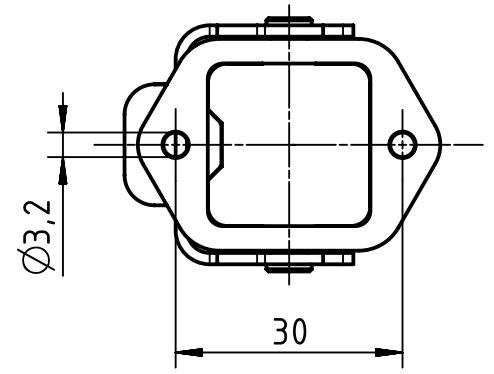
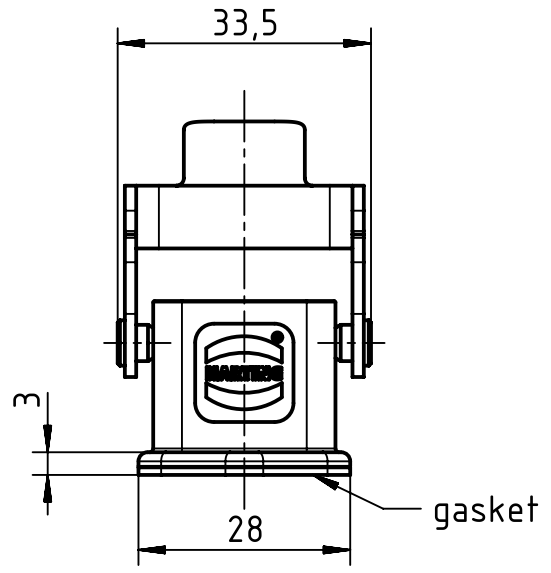
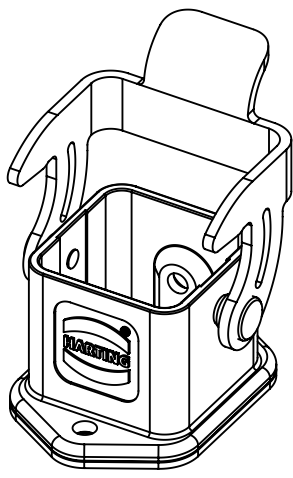
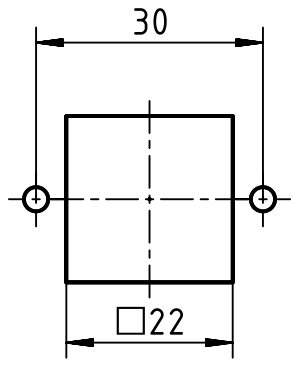



panel cut out



	All Dimensions in mm Original Size DIN A4		Scale 1:1	Free size tol.		Ref.	
	All rights reserved Department EL PD		Created by SPRENB	Inspected by GERB	Standardisation GARSKE	Date 2019-09-11	State Final Release
HARTING Electric GmbH & Co. KG D-32339 Espelkamp		Title Han 3A-agg-QB FKM				Doc-Key / ECM-Nr. 100133332/UGD/005/B 500000149677	
		Type TB	Number 09 20 003 0321			Rev. B	Page 1/1