

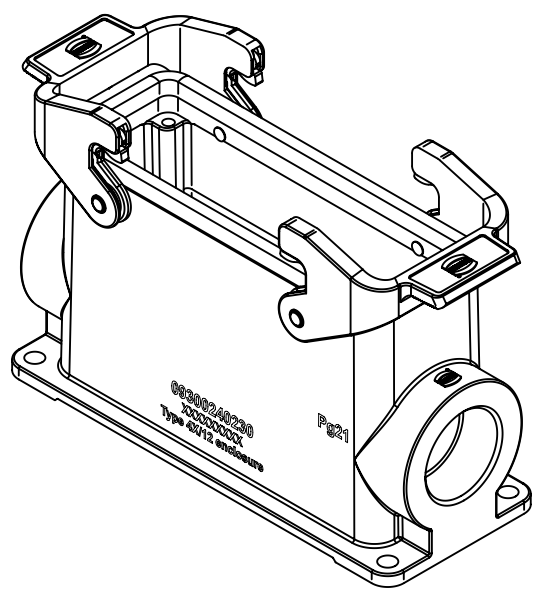
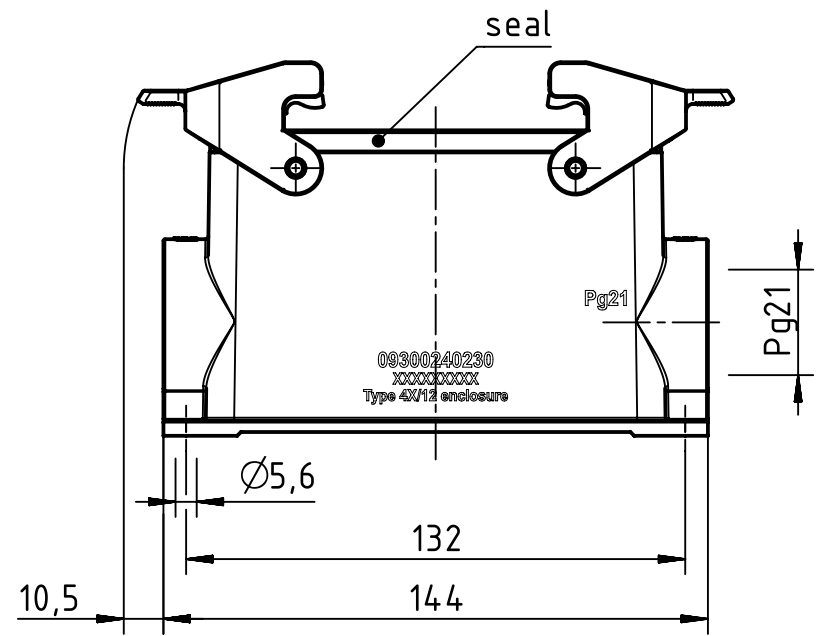
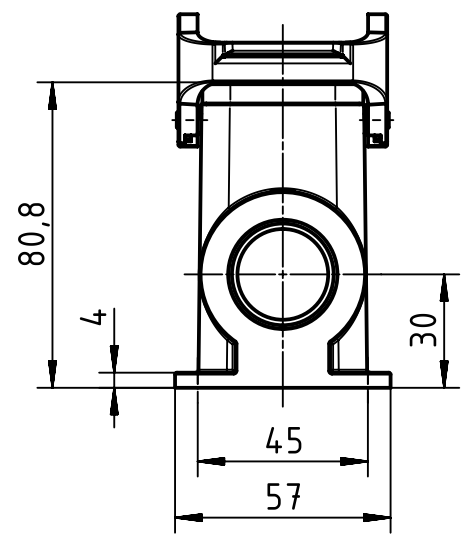
1 2 3 4 5 6

A

B

C

D



	All Dimensions in mm Original Size DIN A4		Scale 1:2	Free size tol.	Ref. Sub. TB 09 30 024 0230 v. 04.03.11		
		All rights reserved	Created by FINKEV	Inspected by GERB	Standardisation RUETERA	Date 2020-03-11	State Final Release
Department EL PD		Title Han B Base Surface HC 2 Levers 1 x Pg21			Doc-Key / ECM-Nr. 100205772/UGD/004/B 500000166174		
HARTING Electric GmbH & Co. KG D-32339 Espelkamp		Type TB	Number 09 30 024 0230			Rev. B	Page 1/1