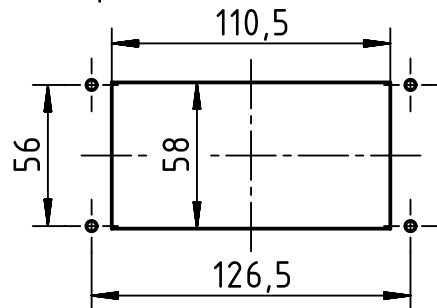



panel cut out (1:3)



	All rights reserved		Scale 1:2		Free size tol.		Ref.	
	Department EL PD		Created by LONGL	Inspected by HEW	Standardisation RUETERA	Date 2018-05-24	State Final Release	
HARTING (Zhuhai) Manufacturing Co., Ltd. 519085 Zhuhai, China			Title Han 16B HTE M32 PFT SL				Doc-Key / ECM-Nr. 100734127/UGD/001/B 500000135585	
			Type TB	Number 19 30 016 1131			Rev. B	Page 1/1