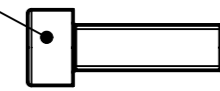
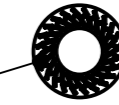


Range of delivery

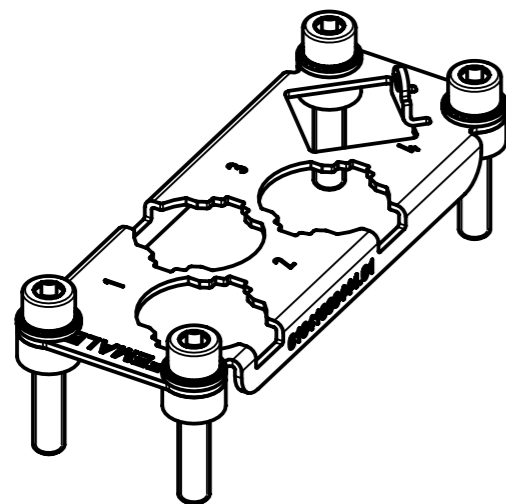
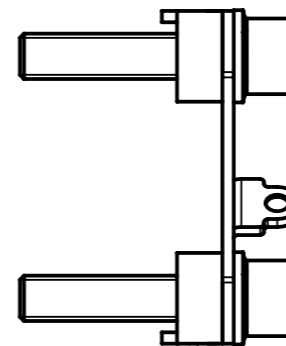
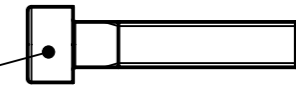
4x screw M6x20  
for hoods



4x M6 lock washer



4x screw M6x30  
for housing



fits for Han 16HPR enlarged housing

	All rights reserved Department HCS - DE		Created by 00103849 Schubart		Inspected by DROSTE Droste		Standardisation WARLING Warling		Date 2020-09-07		State Final Release	
	HARTING Customised Solutions D-32339 Espelkamp				Title Han 16HPR frame 3x HC250 + Q5 FE		Number 61041000444.01		Doc-Key / ECM-Nr. 100859808/UGD/002/D 500000179208		Rev. D Page 1/1	