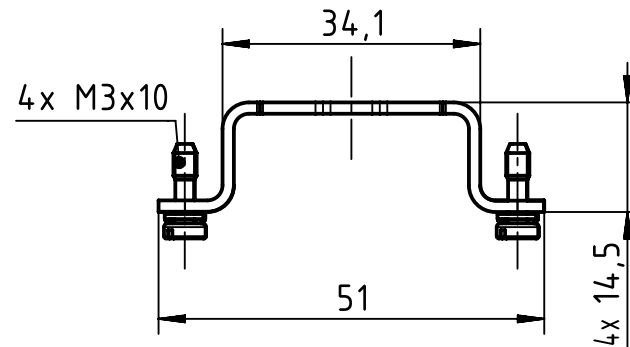
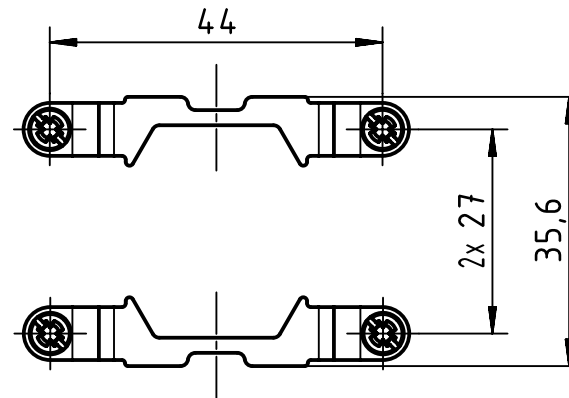
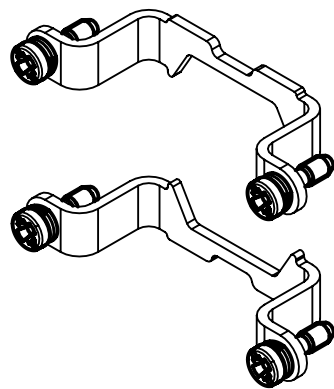



1	2	3	4	⊕
1	2	3	4	⊕
1	2	3	4	⊕
1	2	3	4	⊕

Stickers to mark the contacts  
and PE contacts on the frame acc. to  
DIN EN 61984, 6.2.3



	All rights reserved Department EL PD	All Dimensions in mm Original Size DIN A4		Scale 1:1	Free size tol.		Ref.	
		HARTING D-32339 Espelkamp	Created by WENE	Inspected by LUOK	Standardisation ROEBEN	Date 2022-01-21	State Final Release	Sub.
Title Han 1HC350 Frame for HPR Compact							Doc-Key / ECM-Nr. 100871470/UGD/001/C 500000208893	
Type TB				Number 09 40 524 9951			Rev. C	Page 1/1