

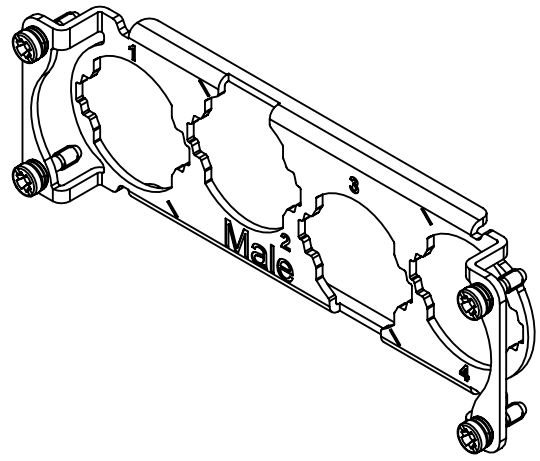
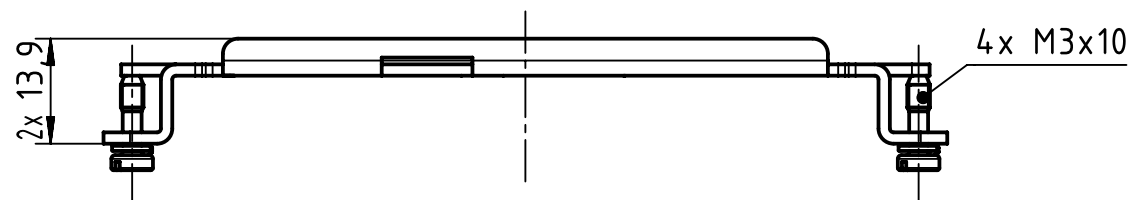
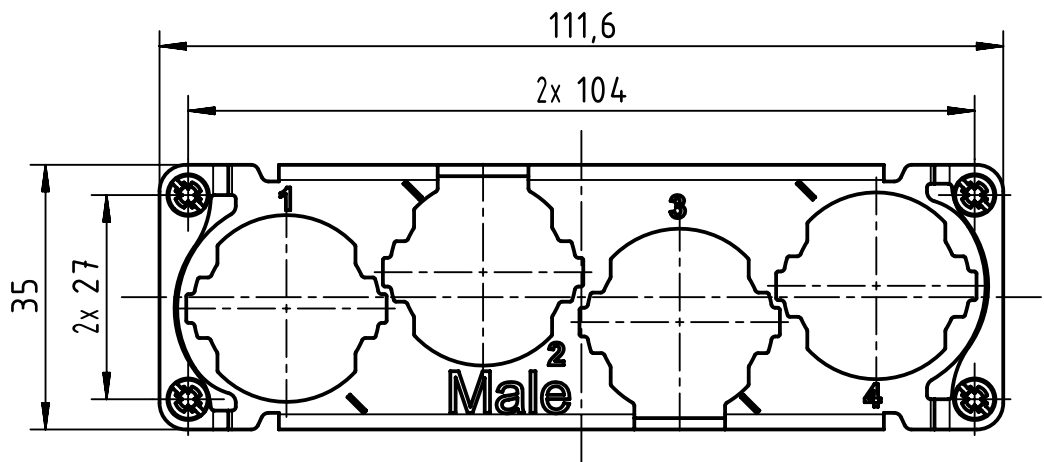
1 2 3 4 5 6


A

B

C

D



	All rights reserved Department EL PD	All Dimensions in mm Original Size DIN A4	Scale 1:1	Free size tol.	Ref.	
		HARTING D-32339 Espelkamp	Created by WENE	Inspected by LUOK	Standardisation ROEBEN	Date 2022-01-21
Title Han 4HC250 Frame_male for HPR-Compact					Doc-Key / ECM-Nr. 100873473/UGD/001/C 500000208893	
		Type TB	Number 09 40 524 9944		Rev. C	Page 1/1