

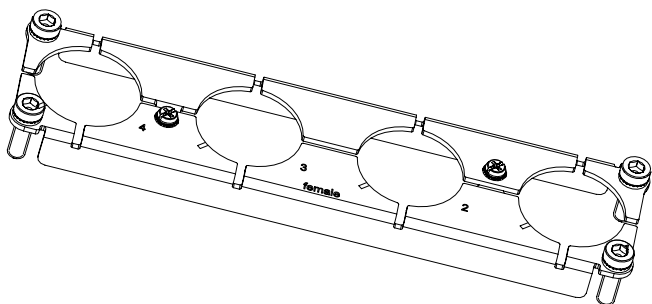
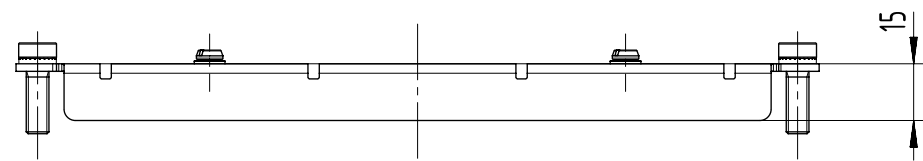
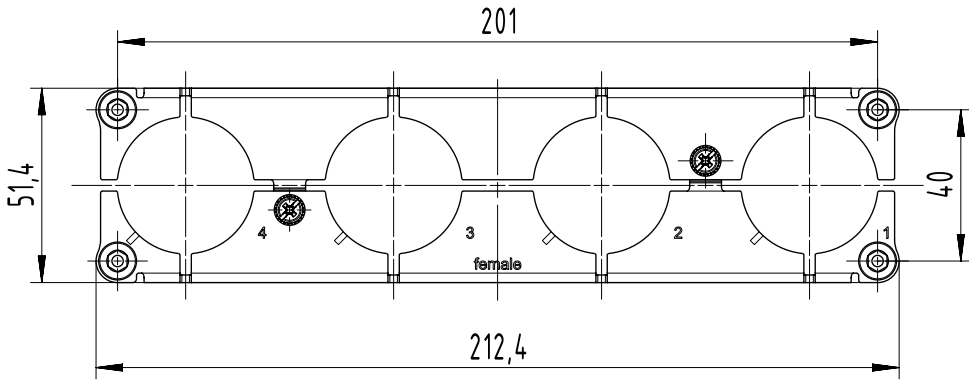
1 2 3 4 5 6

A

B

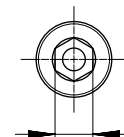
C

D

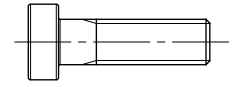


(1:1)

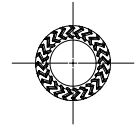
(1:1)



SW5  
tightening torque 6Nm

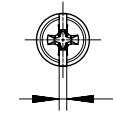


4x screw M6x20

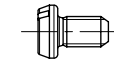


4x M6 washer

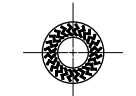
(1:1)



1  
tightening torque 0.5Nm




2x screw M4x6



2x M4 washer

enclosed separately

	All rights reserved Department EL PD	All Dimensions in mm Original Size DIN A4		Scale 1:2	Free size tol.	Ref. Sub.	
		Created by 407807	Inspected by luok	Standardisation	Date 08-Aug-2024	State 40 - Released	
HARTING D-32339 Espelkamp		Title Frame Han 34HPR for 4xHC650 female				Doc-Key / ECM-Nr. DS00210550	
		Type TB	Design Number DS00210550	SAP Mat. Number 09110349984	Rev. B	Page 1/1	