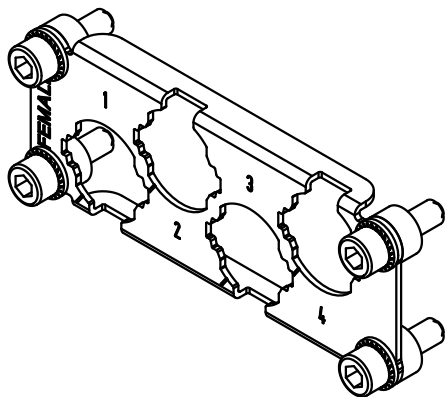


Schraube M6x30 für Anbaugeschäse  
screw M6x30 for housing



|   |          |                   |                                |      |   |  |
|---|----------|-------------------|--------------------------------|------|---|--|
| All Dimensions in mm<br>Original Size DIN A 4 |          | Techn. Character. |                                |      | Nicht tolerierte Maß/Free size tolerances |  |
|   |          |                   | Dat.                           | Name | Maßstab/Scale<br><b>1:1</b>               | <b>HC 250-Halterung enlarged-F</b><br>4x HC 250<br>frame |
|   |          | Detail.           | 20.01.11                       | Spr  |   |  |
|   |          | Insp.             |                                | Ole  |   |  |
|   |          | Stand.            |                                |      |   |  |
| B   | 12.07.11 | ML                | HARTING Electric GmbH & Co. KG |      |   | <b>TB 09 11 000 9938</b>                                 |
| A   |          |                   | D-32339 Espelkamp              |      |   |  |
| Mod.  | Dat.     | Name              |                                |      |   | Blatt/ page  |
|   |          |                   |                                |      | Sub.                                      |  |