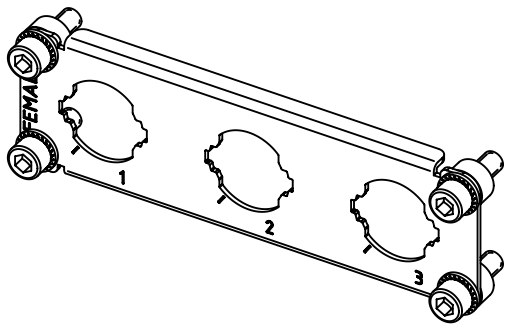
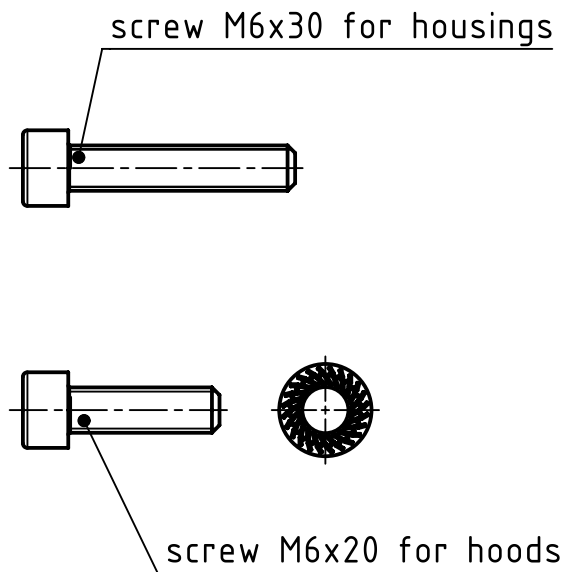
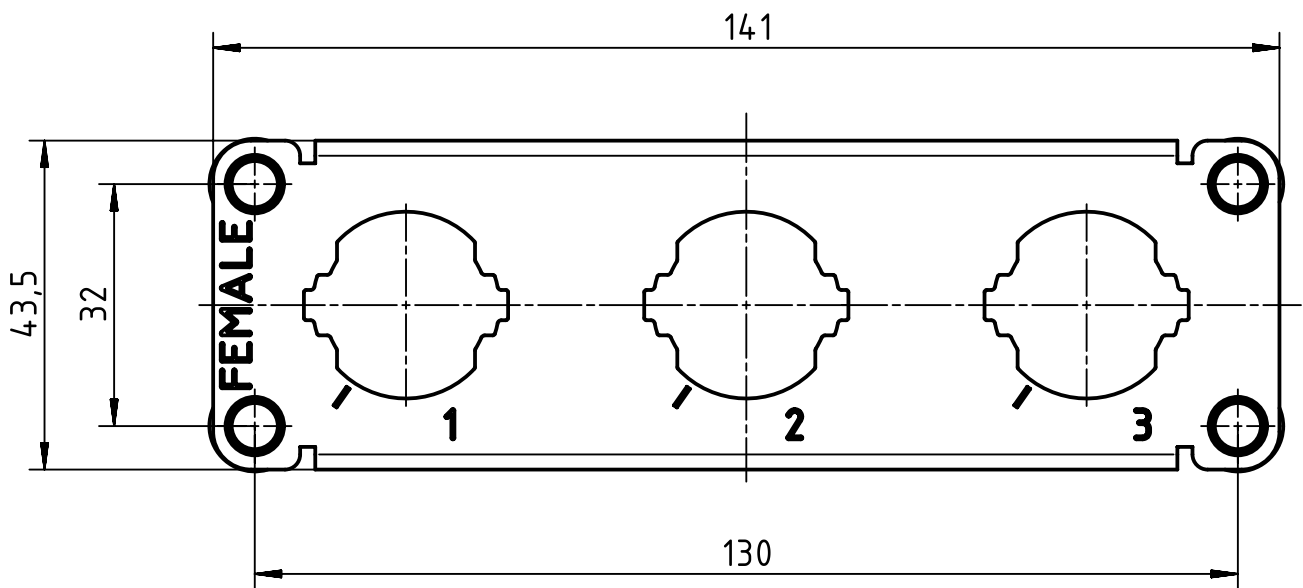



1 2 3 4 5 6

A  
B  
C  
D



	All rights reserved Department EL PD - DE	All Dimensions in mm Original Size DIN A4		Scale 1:1	Free size tol.	Ref. Sub.
		Created by KHOSROGORJI	Inspected by SCHNIEDER	Standardisation TIEMANNA	Date 2017-09-08	State Final Release
HARTING Electric GmbH & Co. KG D-32339 Espelkamp		Title Frame 3xHC250-F enlarged			Doc-Key / ECM-Nr. 100587207/UGD/001/B 500000124850	
		Type TB	Number 09 11 000 9932		Rev. B	Page 1/1