

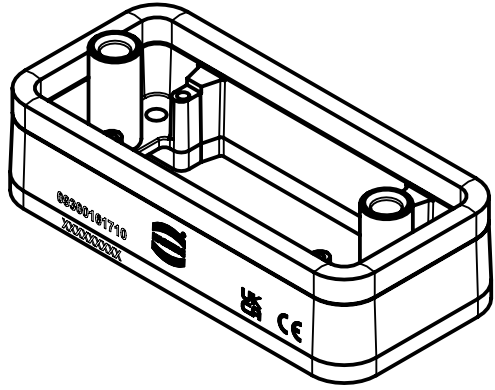
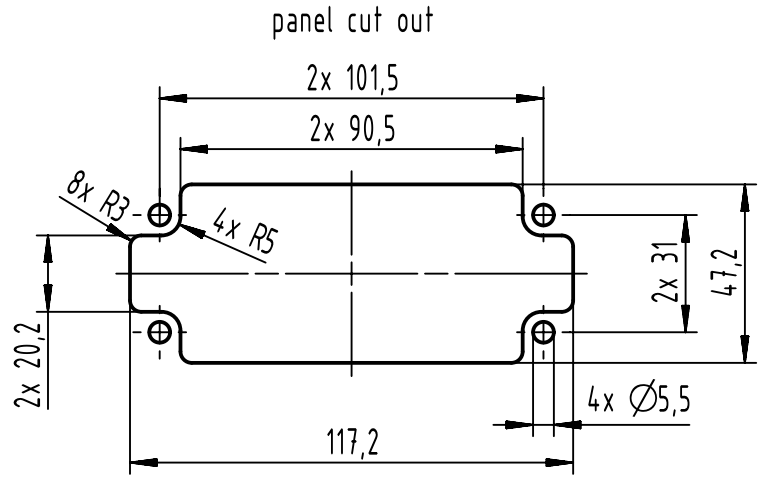
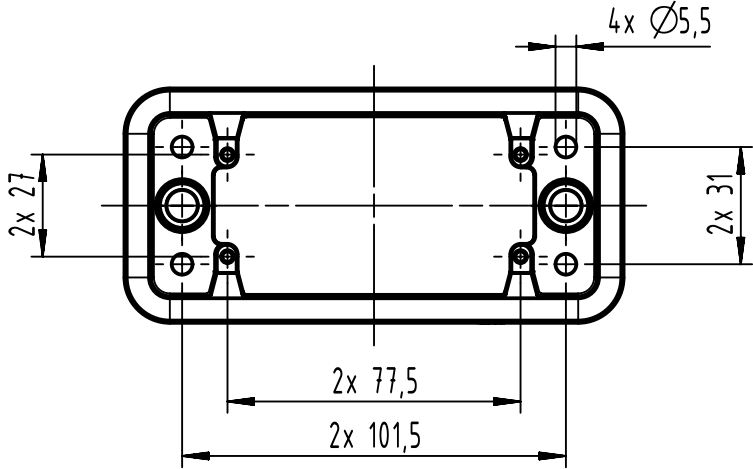
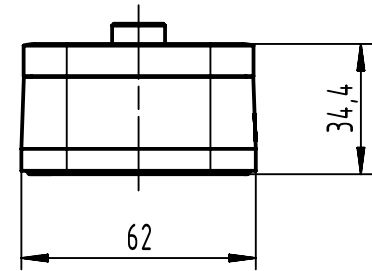
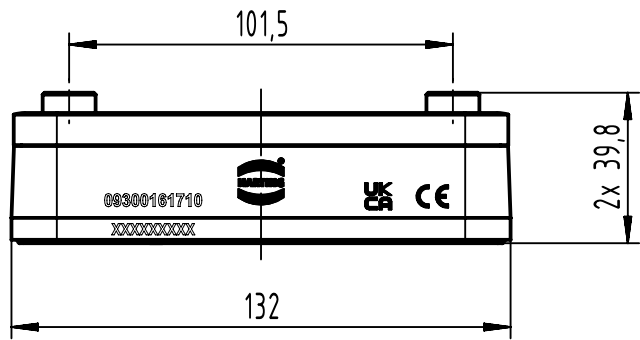
1 2 3 4 5 6

A

B

C

D



	All Dimensions in mm Original Size DIN A4		Scale 1:2	Free size tol.	Ref.
			Created by ZENGD	Inspected by LUOK	Standardisation ROEBEN
All rights reserved Department EL PD		Title Han 16B Docking Frame IP67 fixed		Date 2023-09-20	State Final Release
HARTING D-32339 Espelkamp		Type TB		Number 09 30 016 1710	Doc-Key / ECM-Nr. 101035420/UGD/001/C 500000253802
				Rev. C	Page 1/1