

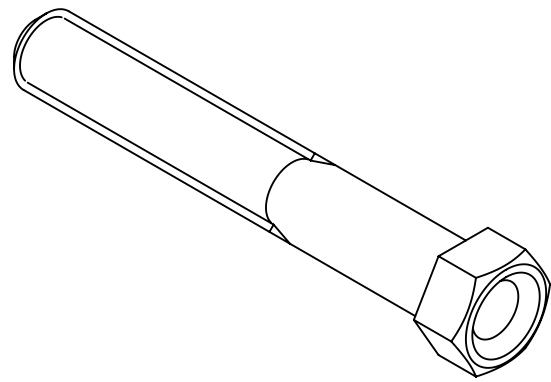
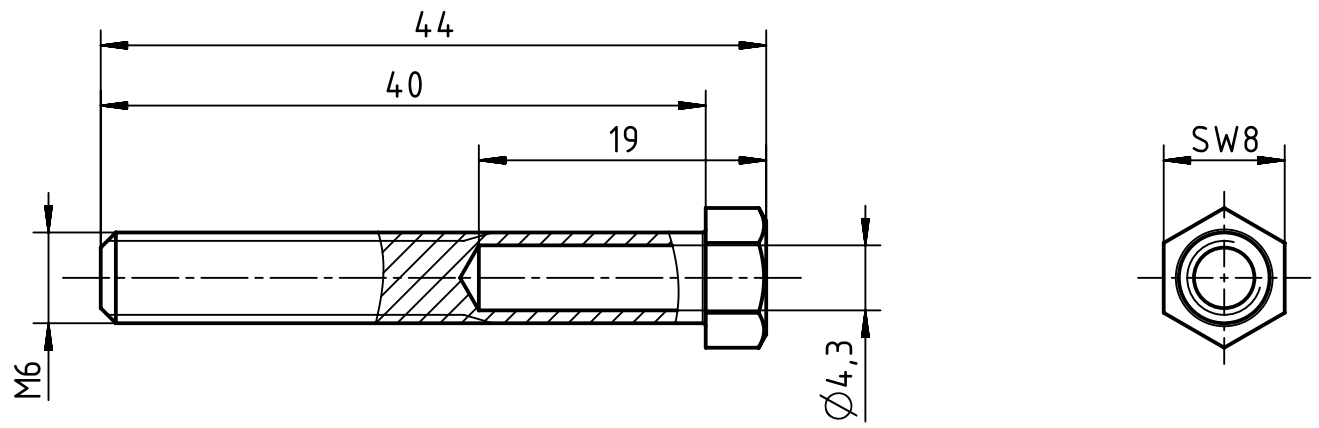
1 2 3 4 5 6


A

B

C

D



	All rights reserved Department EL PD	All Dimensions in mm Original Size DIN A4	Scale 2:1	Free size tol.		Ref.	
		HARTING Electric GmbH & Co. KG D-32339 Espelkamp	Created by LONGL	Inspected by HEW	Standardisation TIEMANNA	Date 2019-12-31	State Final Release
Title M6x40 guiding bush HPR Enlarged PE frame						Doc-Key / ECM-Nr. 100862482/UGD/001/B 500000162848	
			Type TB	Number 09 40 000 9812		Rev. B	Page 1/1