

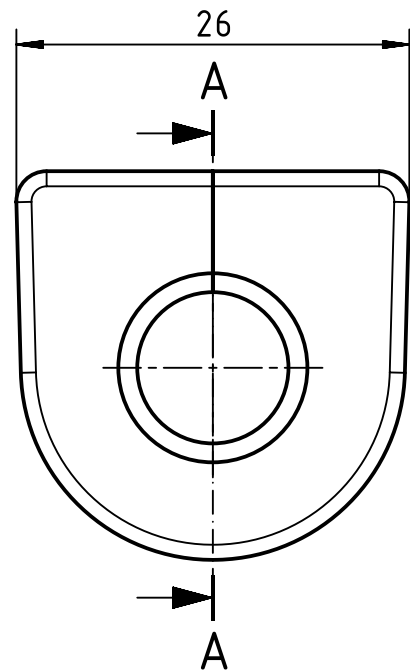
1 2 3 4 5 6

A

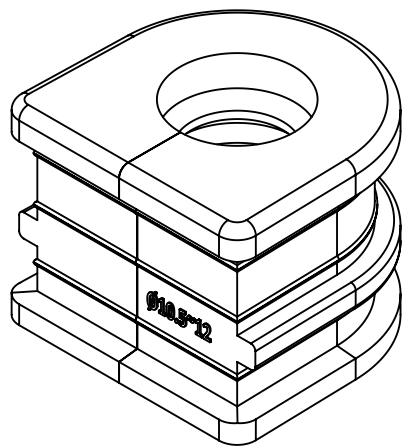
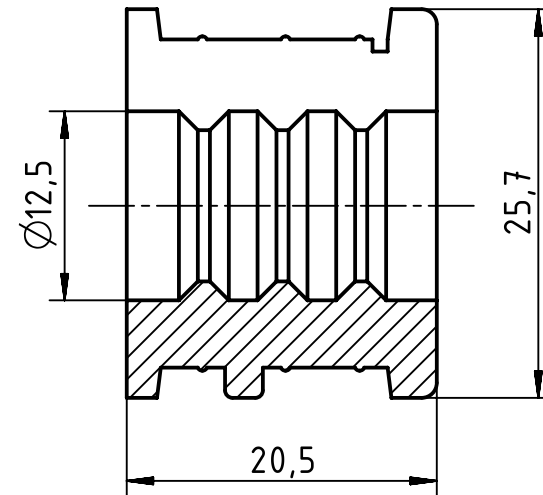
B

C


D



A-A



suitable cable  $\varnothing 10,5 \sim \varnothing 12 \text{mm}$

	All rights reserved Department EL PD	All Dimensions in mm Original Size DIN A4		Scale 2:1	Free size tol.	Ref. Sub.	
		Created by LONGL	Inspected by DINGB	Standardisation RUETERA	Date 2018-07-10	State Final Release	
HARTING Electric GmbH & Co. KG D-32339 Espelkamp		Title Cable Sealing f. Split Hood OD 10.5~12mm				Doc-Key / ECM-Nr. 100737037/UGD/001/A 500000137432	
		Type TB	Number 09 00 000 6009			Rev. A	Page 1/1