

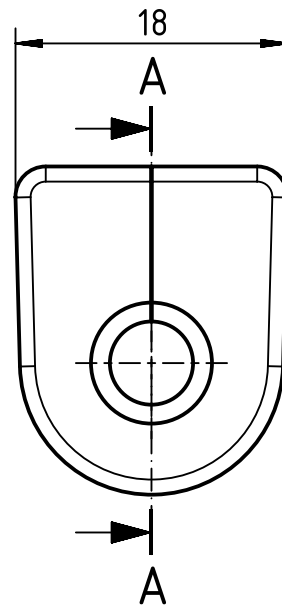
1 2 3 4 5 6

A

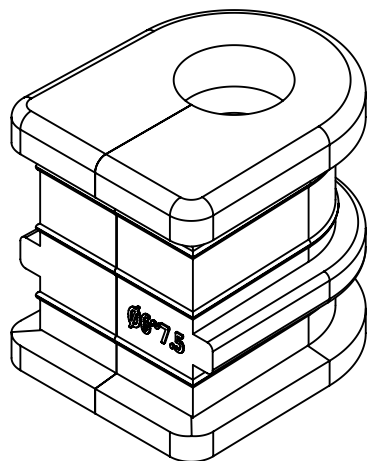
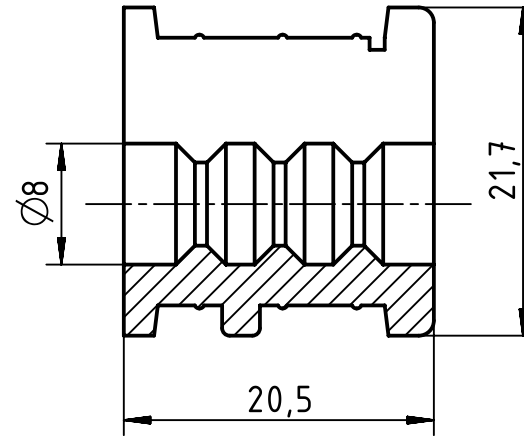
B

C

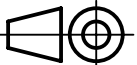

D



A-A



suitable cable $\varnothing 6 \sim \varnothing 7,5 \text{ mm}$

 All Dimensions in mm Original Size DIN A4	Scale	Free size tol.			Ref.
	2:1				Sub.
 All rights reserved Department EL PD	Created by	Inspected by	Standardisation	Date	State
	LONGL	DINGB	RUETERA	2018-07-10	Final Release
HARTING Electric GmbH & Co. KG D-32339 Espelkamp	Title				Doc-Key / ECM-Nr. 100736644/UGD/001/A 500000137432
	Type	Number			
	TB	09 00 000 6006			A
					Page 1/1