

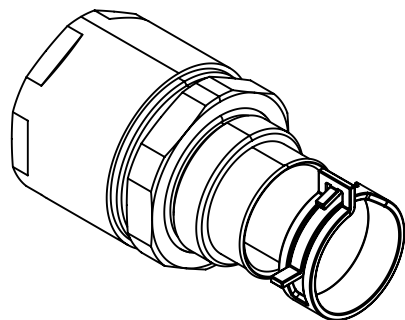
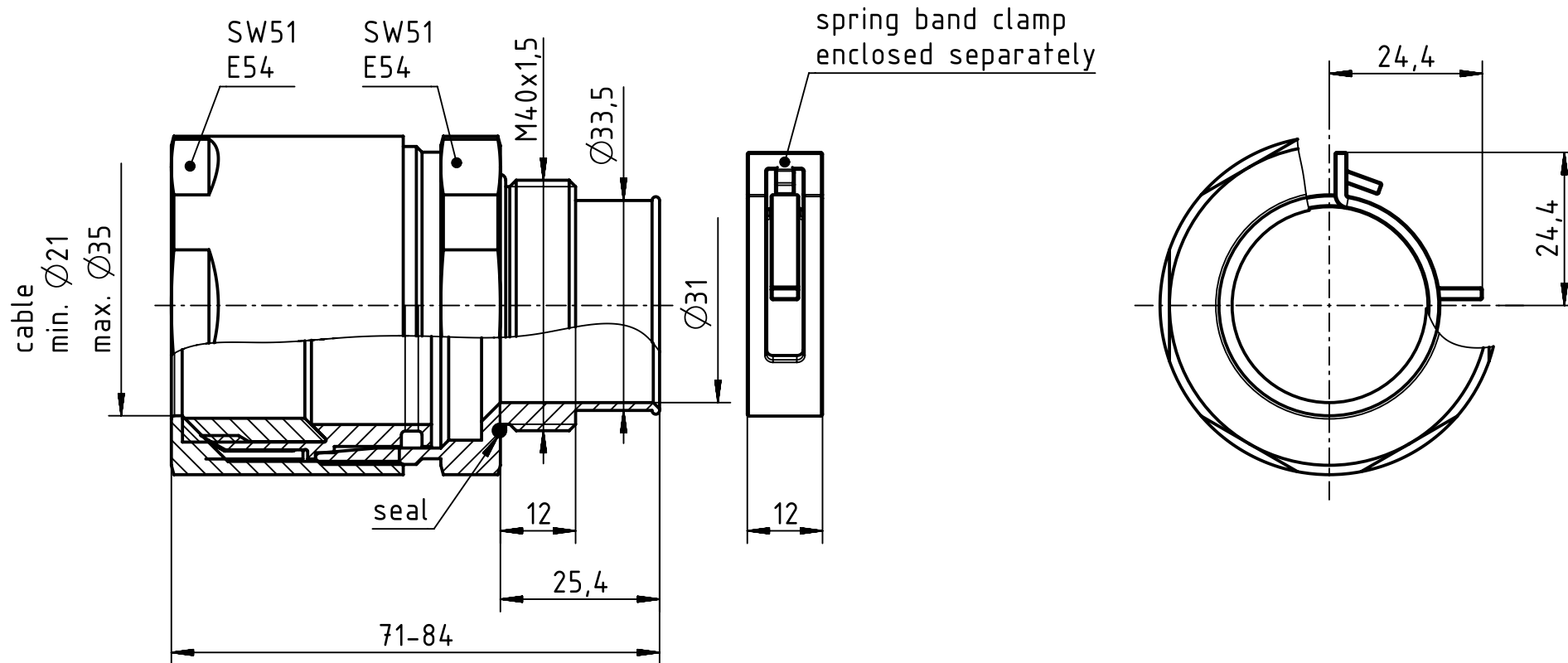
1 2 3 4 5 6


A

B

C

D



	All Dimensions in mm Original Size DIN A4		Scale 1:1	Free size tol.		Ref.
	All rights reserved		Created by TEICHRIBR	Inspected by RIEPE	Standardisation GARSKE	Sub.
Department EL PD		Title Spec. Cable Gland M40/12mm Ø21-35 SBC			Date 2019-05-03	State Final Release
HARTING Electric GmbH & Co. KG D-32339 Espelkamp		Type TB	Number 19 00 000 5032			Doc-Key / ECM-Nr. 100579952/UGD/000/B 500000150838
					Rev. B	Page 1/1