

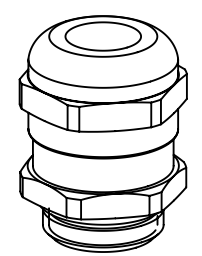
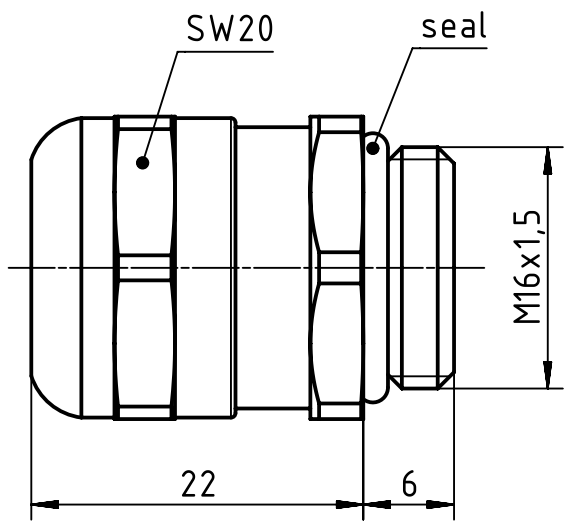
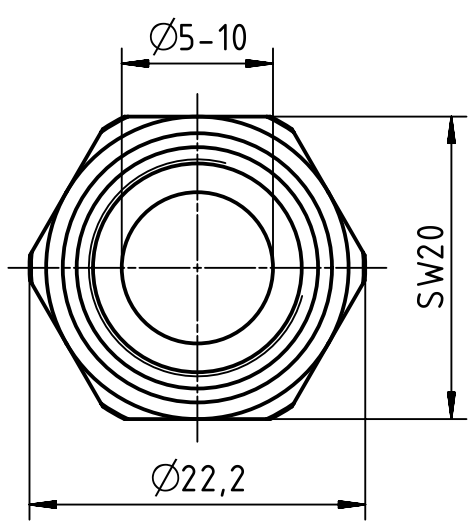
1 2 3 4 5 6


A

B

C

D



	All rights reserved Department EL PD HARTING Electric GmbH & Co. KG D-32339 Espelkamp	All Dimensions in mm Original Size DIN A4		Scale 2:1	Free size tol.		Ref.
		Created by WULF	Inspected by 103979	Standardisation GARSKE	Date 2020-04-22	State Final Release	
			Title Han CGM-M M16x1,5 D. 5-10mm			Doc-Key / ECM-Nr. 100775581/UGD/002/B 500000167621	
			Type TB	Number 19 00 000 5030		Rev. B	Page 1/1