

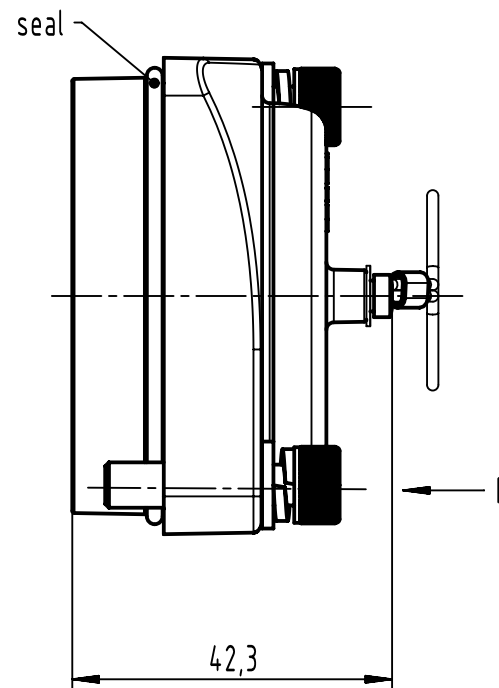
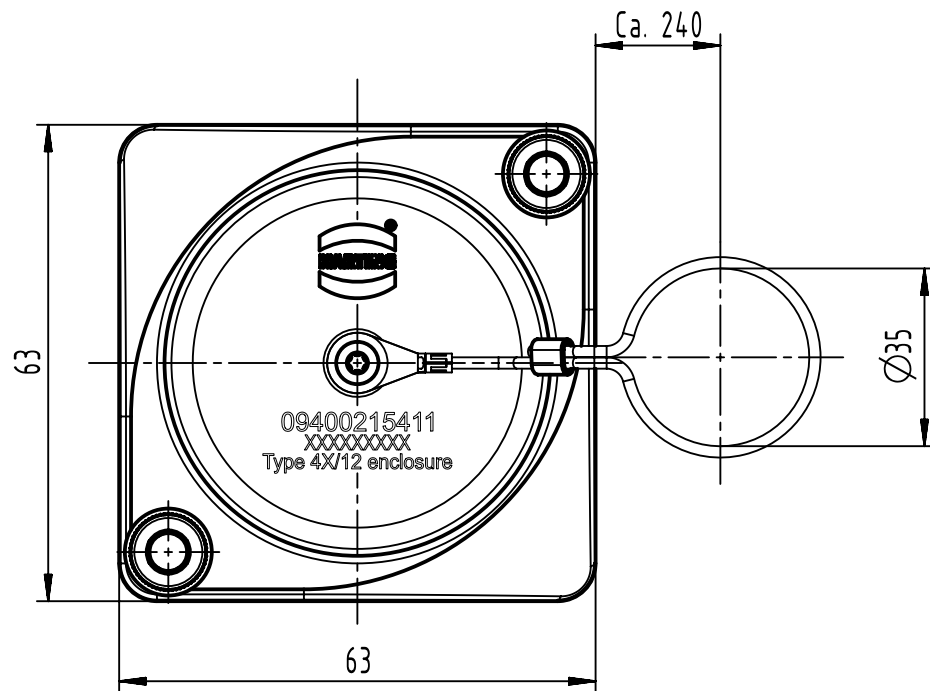
1 2 3 4 5 6

A

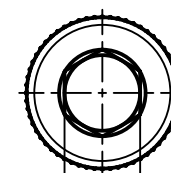
B

C

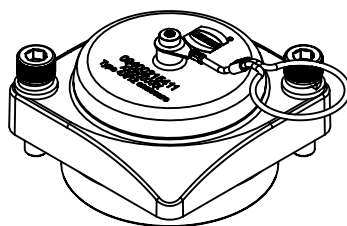
D



F (2:1) (2x)



SW5  
tightening torque 6Nm



All Dimensions in mm Original Size DIN A4		Scale 1:1	Free size tol.		Ref.
All rights reserved Department EL PD		Created by 406869	Inspected by DINGB	Standardisation ROEBEN	Sub.
HARTING D-32339 Espelkamp		Title Han HPR SP2-CM-SCL			Date 2023-08-31 State Final Release
		Type TB	Number 09 40 021 5411		Doc-Key / ECM-Nr. 101030364/UGD/000/C 500000252658 Rev. C Page 1/1