

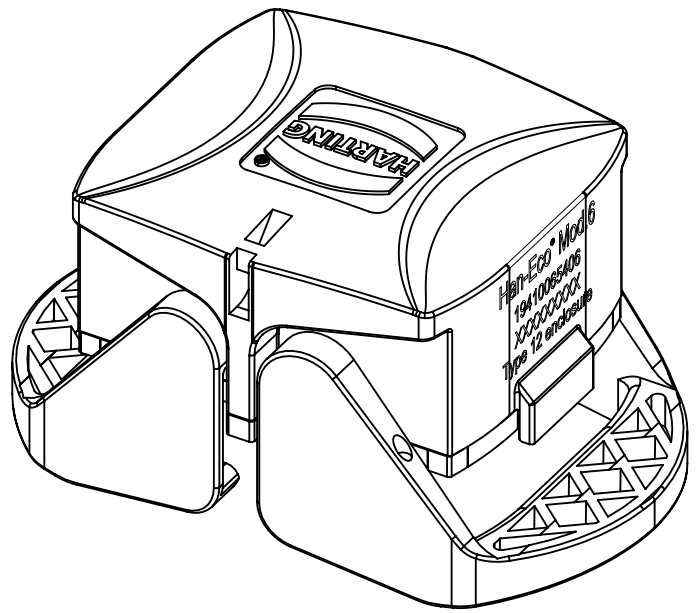
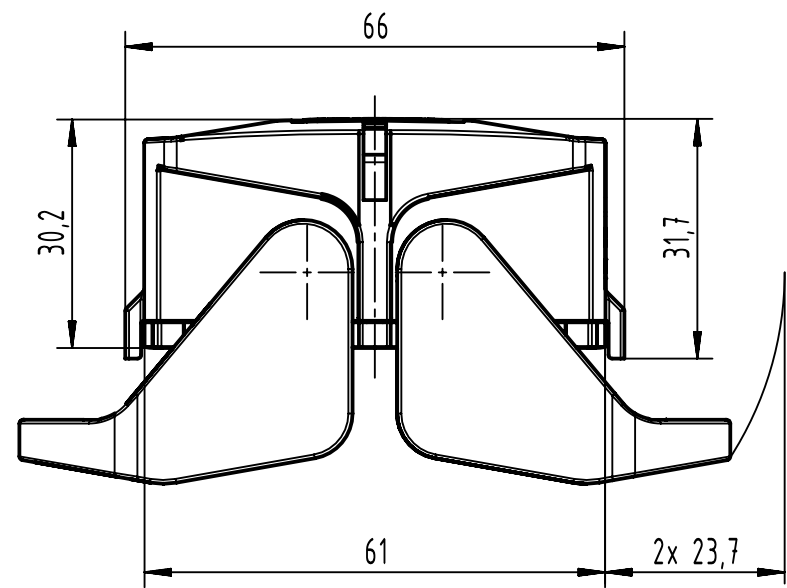
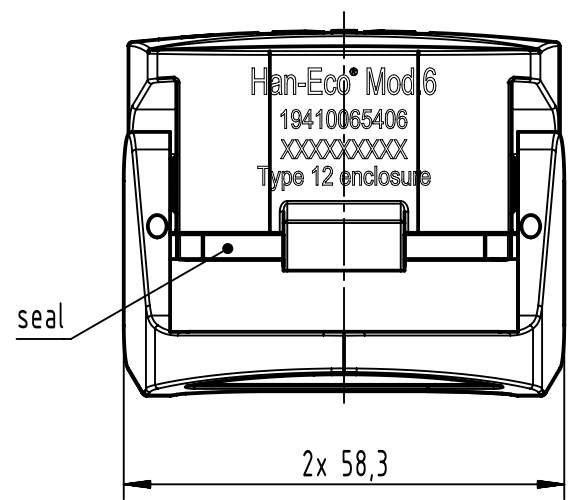
1 2 3 4 5 6


A

B

C

D



	All Dimensions in mm Original Size DIN A4		Scale 1:1	Free size tol.	Ref. Sub. TB 19 41 006 5406 v. 28.07.11	
	All rights reserved Department EL PD		Created by HOLLERT	Inspected by SCHNIEDER	Standardisation	Date 2024-02-13
HARTING D-32339 Espelkamp			Title Han-Eco Mod.6-C-f. HTE/HSE			Doc-Key / ECM-Nr. 100216843/UGD/005/C 500000263655
			Type TB	Number 19 41 006 5406		Rev. C Page 1/1