

1 2 3 4 5 6

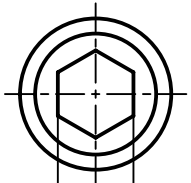
A

B

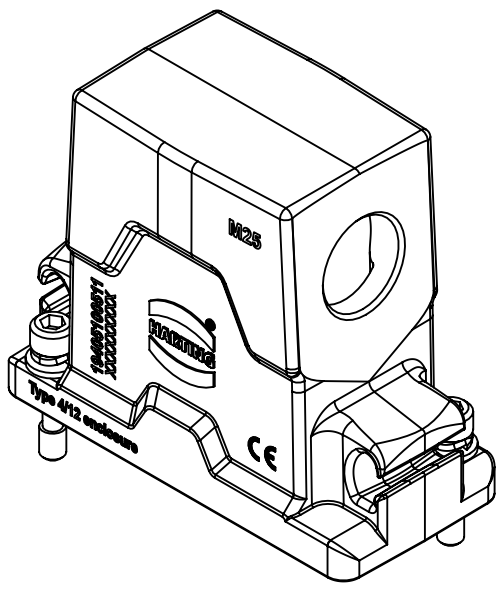
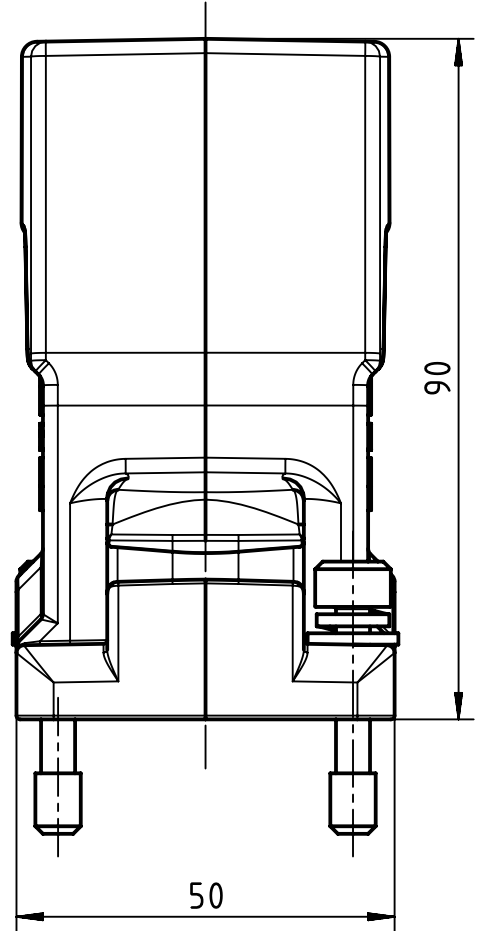
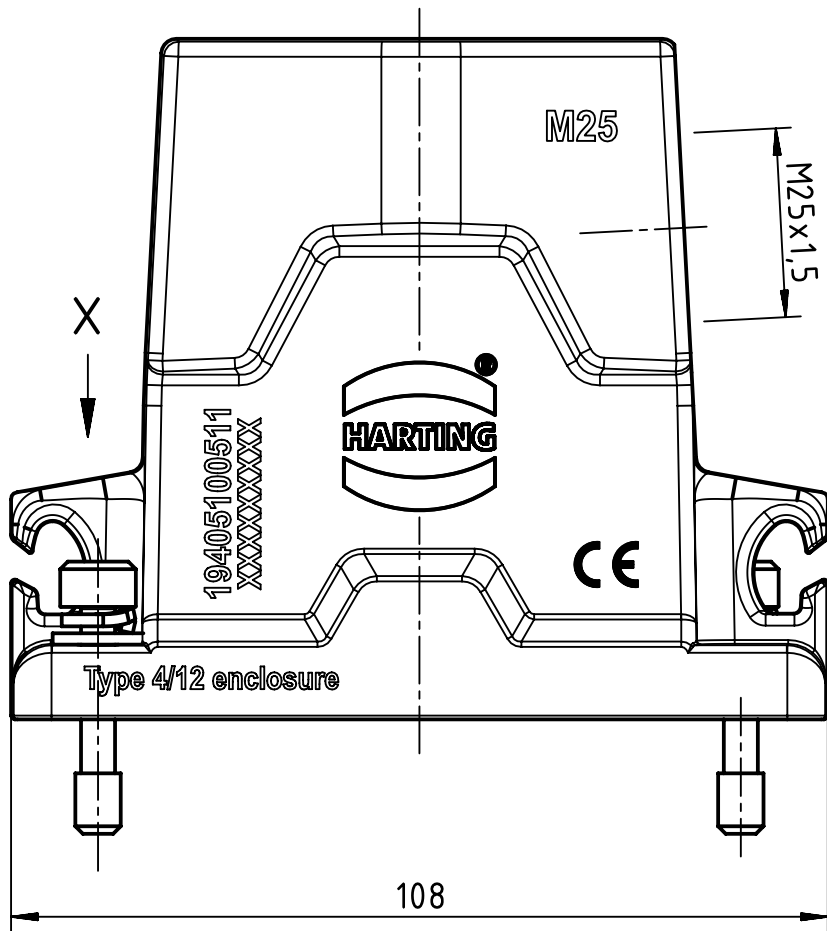
C

D

X (2:1)



SW 5
tightening torque
min. 4Nm



| | | | | | |
|--|--|--|-------------------|------------------------|--|
| <p>All Dimensions in mm Original Size DIN A4</p> | Scale 1:1 | | Free size tol. | | Ref. |
| | Created by WENE | | Inspected by LUOK | Standardisation 302077 | Date 2021-06-04 |
| <p>All rights reserved Department EL PD</p> | Title Han 10HPR-Compact-HSE-HC-SCL-M25 | | | | Doc-Key / ECM-Nr. 100871842/UGD/001/C 500000196200 |
| | HARTING D-32339 Espelkamp | | Type TB | Number 19 40 510 0511 | |