

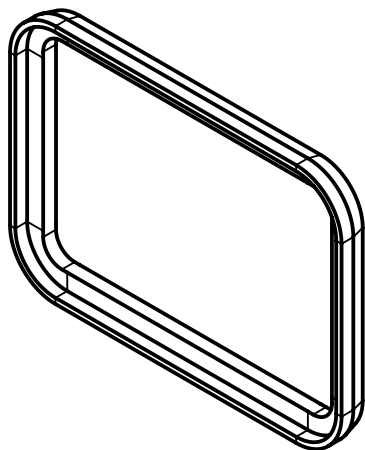
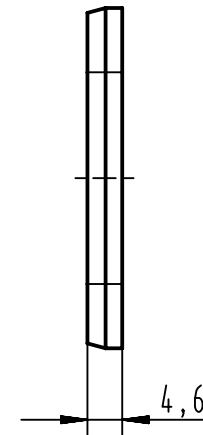
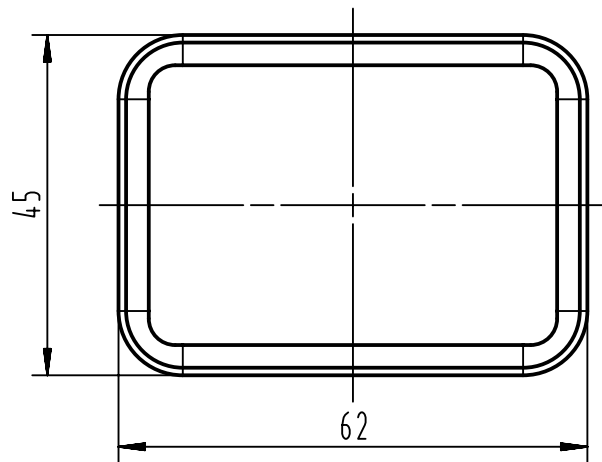
1 2 3 4 5 6


A

B

C

D



	All rights reserved Department EL PD - DE	Created by FINKEV	Inspected by MOOR	Standardisation SCHMIDTM	Date 2012-08-29	State Final Release	Ref. Sub.
	HARTING Electric GmbH & Co. KG D-32339 Espelkamp	Title L-seal Han 6B				Doc-Key / ECM-Nr. 100087703/UGD/003/A	
		Type TB	Number 09 30 000 9936			Rev. A	Page 1/1