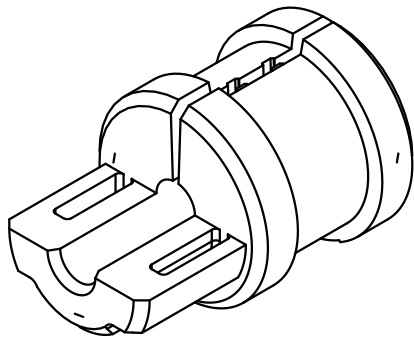


verwendbarer Kabel- $\phi$  4-5mm  
suitable cable  $\phi$  4-5mm



|      |      |   |  |   |             |   |  |
|------|------|---|--|---|-------------|---|--|
|      |      | All Dimensions in mm<br>Original Size DIN A 4 |  | Techn. Character.                                   |             | Nicht tolerierte Maß/Free size tolerances |  |
|      |      |   |  | Dat.  | Name        | Maßstab/Scale<br><br>2:1                  | Kabeldurchführungstülle<br>Cable entry gland |
|      |      |   |  | Detail.   | 07.03.12 Ho |   |  |
|      |      |   |  | Insp.   | Be          |   |  |
|      |      |   |  | Stand.  |             |   |  |
| A    |      |   |  | HARTING Electric GmbH & Co. KG<br>D-32339 Espelkamp |             |   | TB 09 00 000 5352                            |
| Mod. | Dat. | Name  |  |   |             |   |  |