

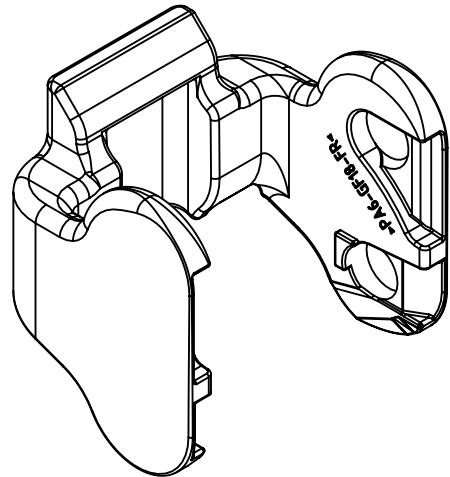
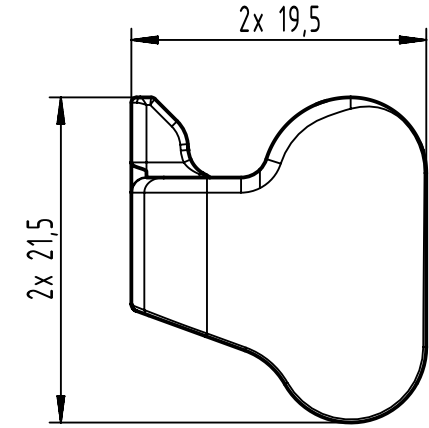
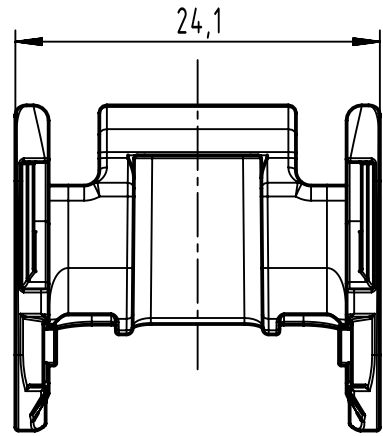
1 2 3 4 5 6


A

B

C

D



| | | | | | | |
|---|---|--|--------------------------|-------------------------|---------------------------|--|
|  | All rights reserved Department EL PD | All Dimensions in mm Original Size DIN A4 | Scale 2:1 | Free size tol. | | Ref. |
| | | HARTING D-32339 Espelkamp | Created by SHENGJ | Inspected by WANGSTE | Standardisation ROEBEN | Date 2022-05-12 |
| Title Han® S 120 SL black | | | | | | Doc-Key / ECM-Nr. 100985231/UGD/001/A 500000207972 |
| | | Type TB | Number 09 93 000 9962 | | | Rev. A |
| | | | | | | Page 1/1 |