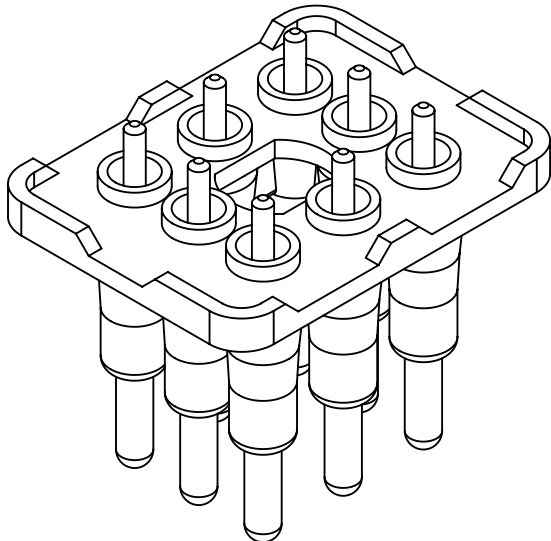
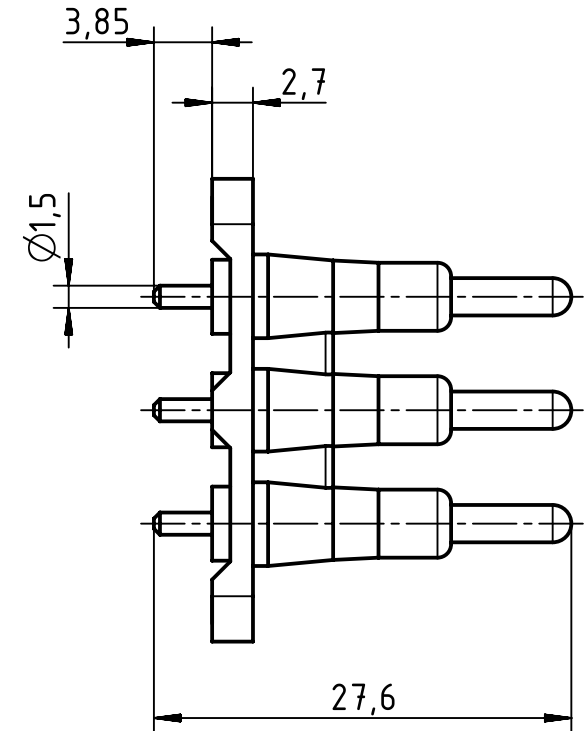
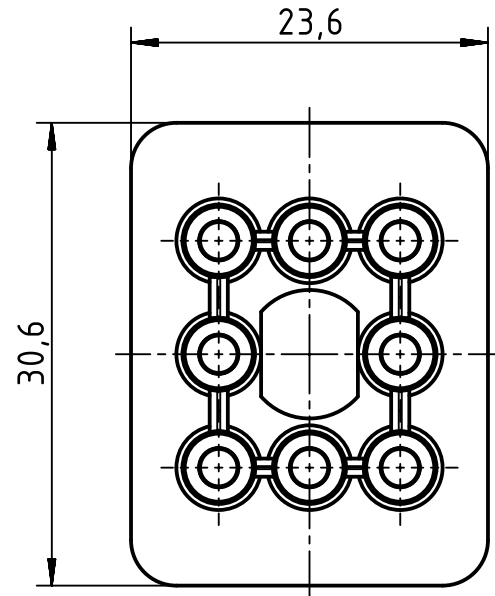
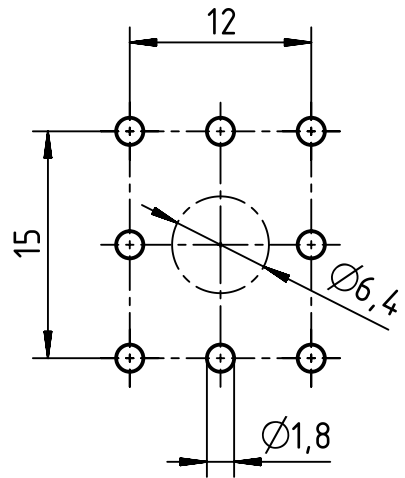




1 2 3 4 5 6

A
B
C
D

Layout of printed circuit boards



	All rights reserved Department EL PD - DE	Created by KLASSENP		Inspected by SCHNIEDER		Standardisation TIEMANNA		Date 2017-02-22		State Final Release	
		Title Leiterplattenadapter Han Q 8/0								Doc-Key / ECM-Nr. 100132669/UGD/005/A 500000115896	
HARTING Electric GmbH & Co. KG D-32339 Espelkamp		Type TB		Number 09 12 008 9901				Rev. A		Page 1/1	
 All Dimensions in mm Original Size DIN A4		Scale 2:1		Free size tol.				Ref.		Sub.	