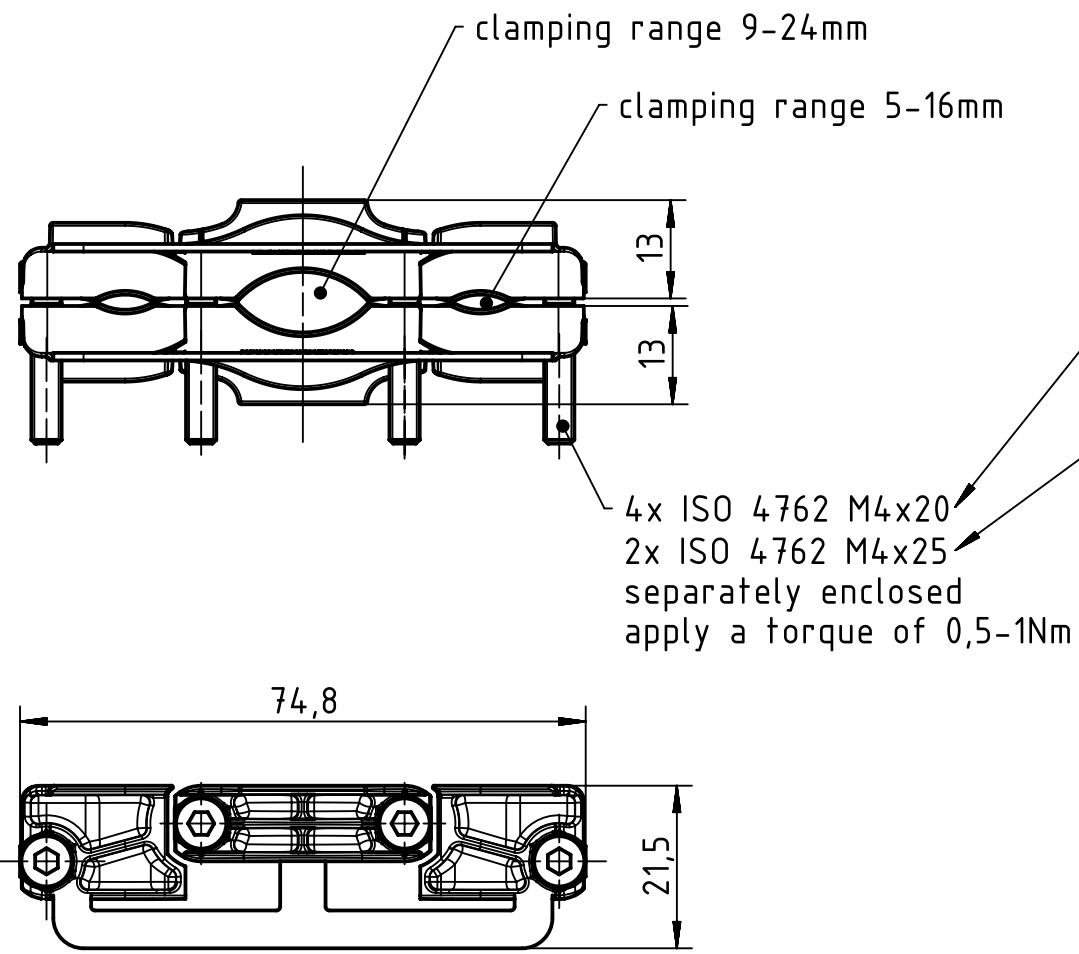


A

B

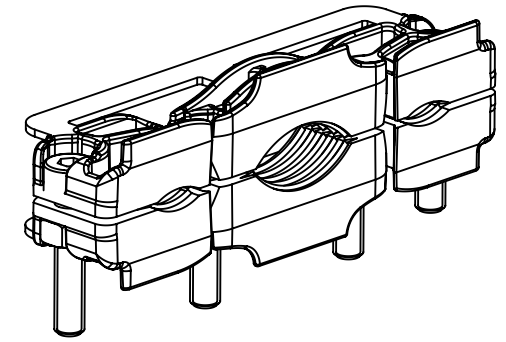
C


D



intended for diameters  
5mm-20mm

intended for diameters  
20mm-24mm



	All rights reserved Department EL PD HARTING Electric GmbH & Co. KG D-32339 Espelkamp	All Dimensions in mm Original Size DIN A4		Scale 1:1	Free size tol.		Ref. Sub.	
		Created by DEIMEL	Inspected by GRIEPENSTROH	Standardisation RUETERA	Date 2019-04-25	State Final Release		
Title strain relief for Flexbox hood 3 entries							Doc-Key / ECM-Nr. 100802404/UGD/001/A 500000150049	
Type TB			Number 09 14 000 8033			Rev. A	Page 1/1	