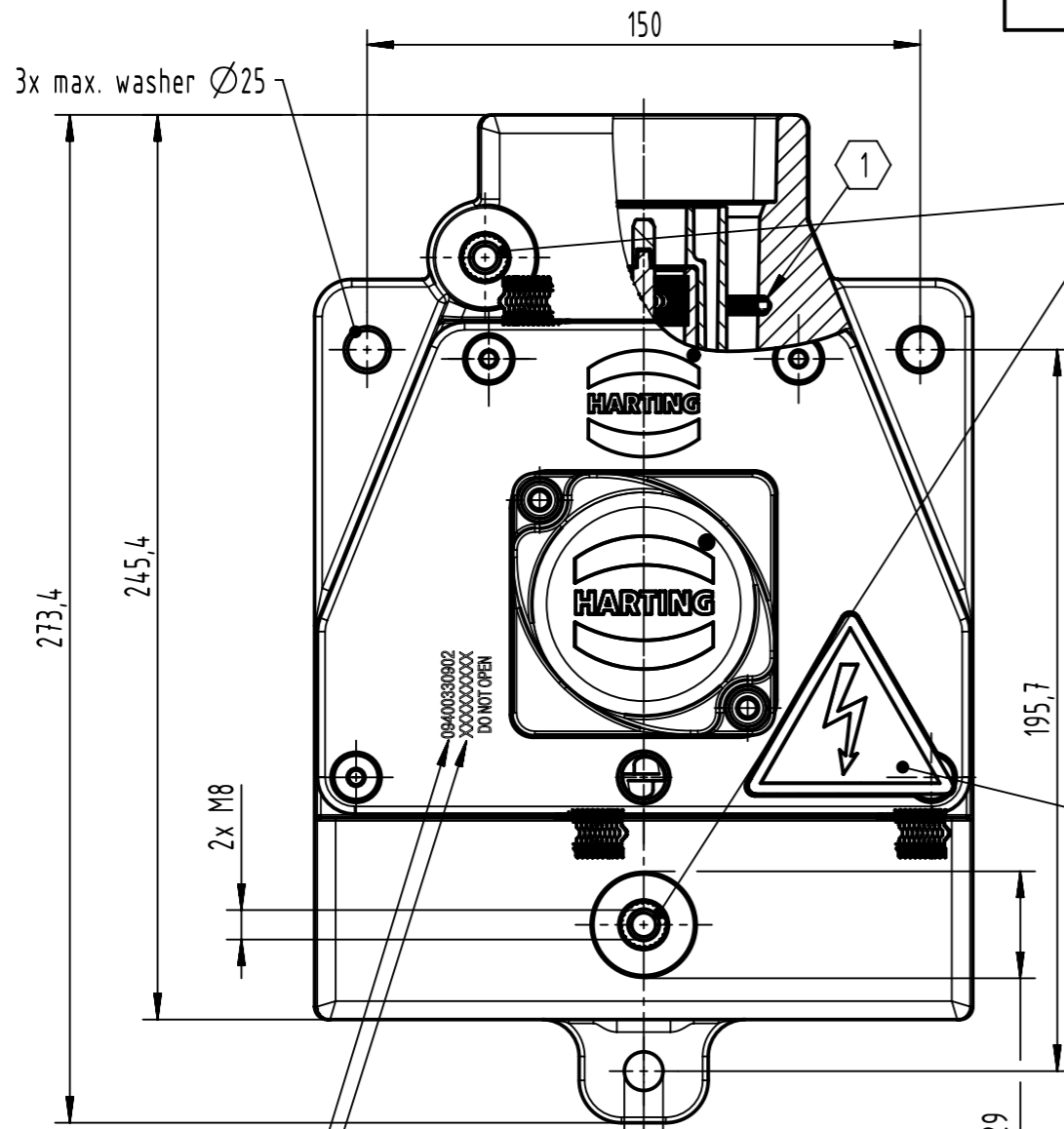
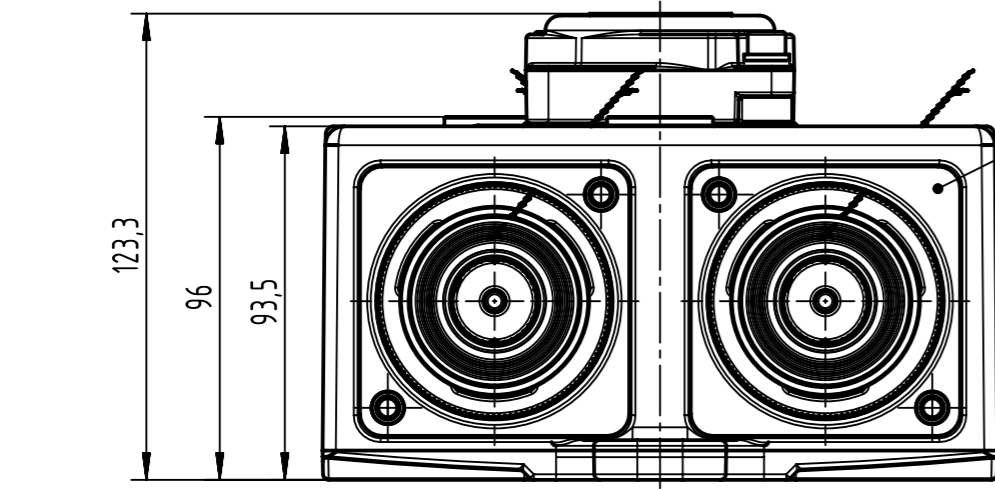
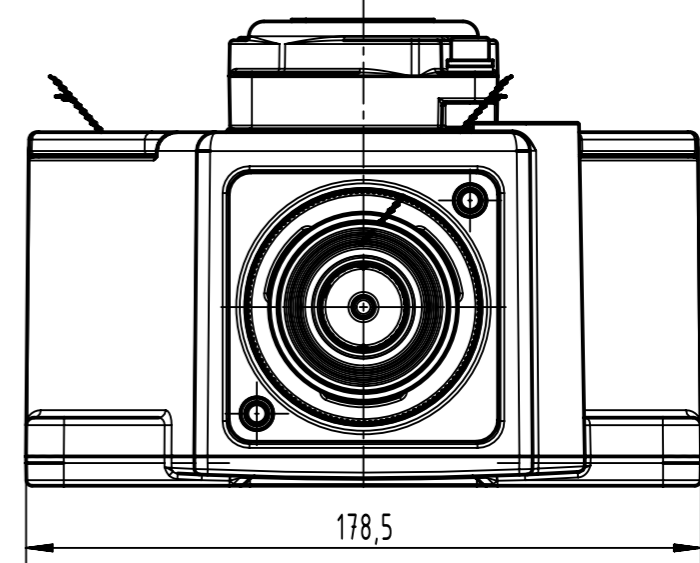
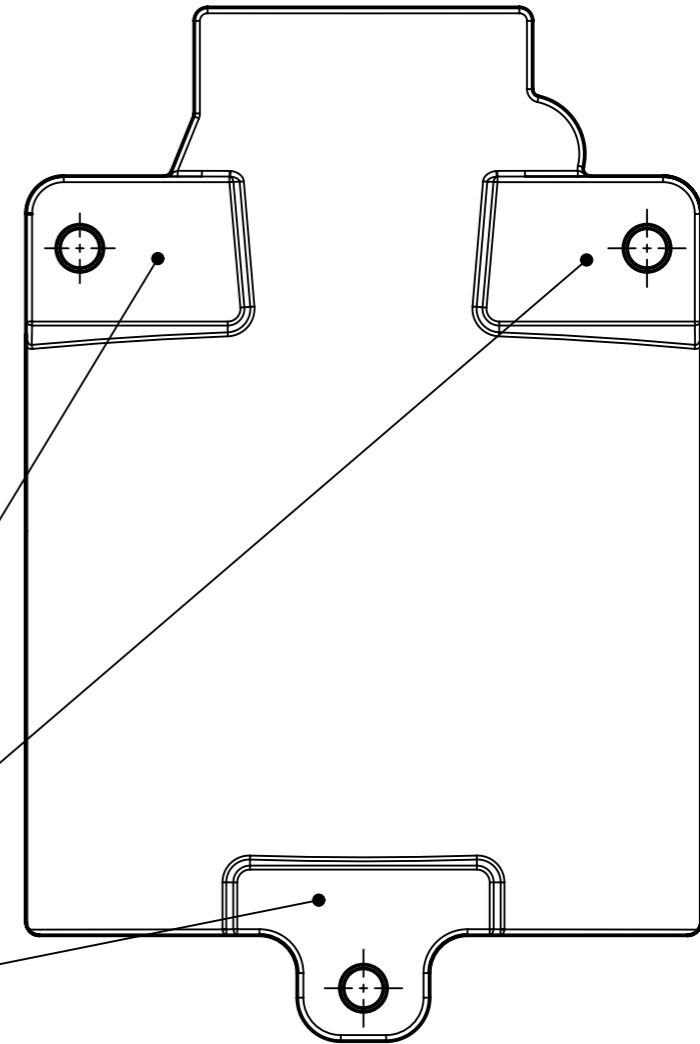
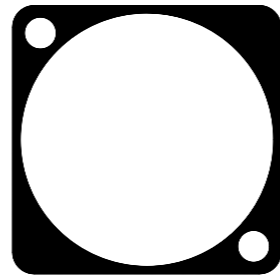


**Y-distributor sealed
do not open**

3x potential transition
 ① only use corrosion inhibitor included
 free of lacquer

Face to put inhibitor on:

Important: no inhibitor
 allowed on inside diameter or
 on the insulating body



2x PE threaded insert: 14,5mm deep
 free of lacquer (area 429 mm²)
 tightening torque: 15Nm

3x potential transition
 free of lacquer (area ~1850 mm²)
 ① only use corrosion inhibitor included

electricity warning sign
 DIN 7010

corrosion inhibitor
 enclosed separately
 tube design
 may differ from
 original



① screened

part number
 traceability code

Coating ①	A=	mm ²	V=	mm ³	m=	6050g	Mat.
	All Dimensions in mm Original Size DIN A3		Scale 1:2	Free size tol.		Ref.	Sub.
	All rights reserved Department EL PD		Created by 104061	Inspected by 104061	Standardisation	Date 2023-08-11	State Final Release
HARTING D-32339 Espelkamp		Title Han TPL 800 Y-distributor shielded			Doc-Key / ECM-Nr. 100948004/UGD/001/C 50000251584		Rev. C
		Type TB	Number 09 40 033 0902		Page 1/1		