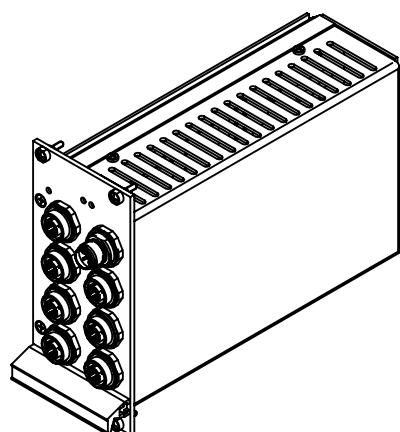
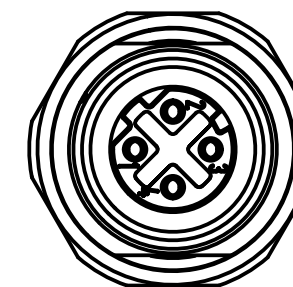
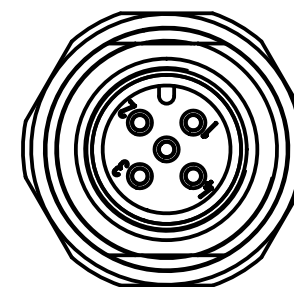


A (2:1)

B (2:1)



	All rights reserved Department EL PD	All Dimensions in mm Original Size DIN A4		Scale 1:2	Free size tol.	Ref. Sub. TB 20762077000 v. 02.04.09	
		Created by HOLLERT	Inspected by KLEINEM	Standardisation SAP_WFRT	Date 2022-03-01	State Final Release	
HARTING D-32339 Espelkamp		Title Ha-VIS eCon 9070-B			Doc-Key / ECM-Nr. 100176768/UGD/006/B 500000211660		Rev. B
		Type TB	Number 20 76 207 7000		Page 1/1		