

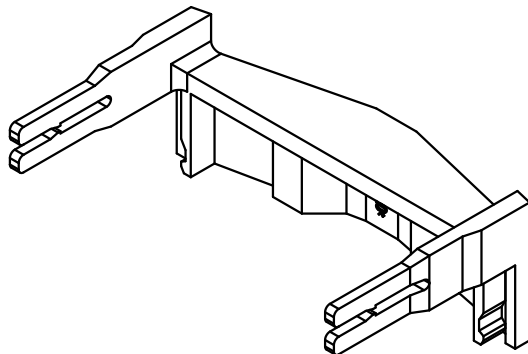
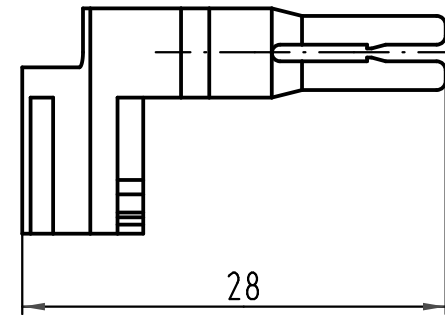
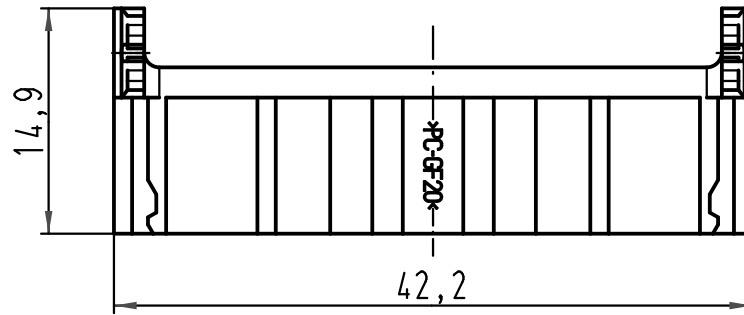
1 2 3 4 5 6

A

B

C

D



| | | | | | | |
|---|------|-------------------|--------------------------------|-------------|---|--|
| All Dimensions in mm Original Size DIN A 4 | | Techn. Character. | | | Nicht tolerierte Maße/ Free size tolerances | |
| | | | Dat. | Name | Maßstab/ Scale 5:1 | Enriegelungswerkzeug/ unlocking tool Han-Yellock |
| | | | Detail. | 26.01.10 Ho | | |
| | | | Insp. | drie | | |
| | | | Stand. | | | |
| A | | | HARTING Electric GmbH & Co. KG | | | TB 11 99 000 0001 |
| Mod. | Dat. | Name | D-32339 Espelkamp | | | |
| | | | | | Sub. | Blatt/ page |