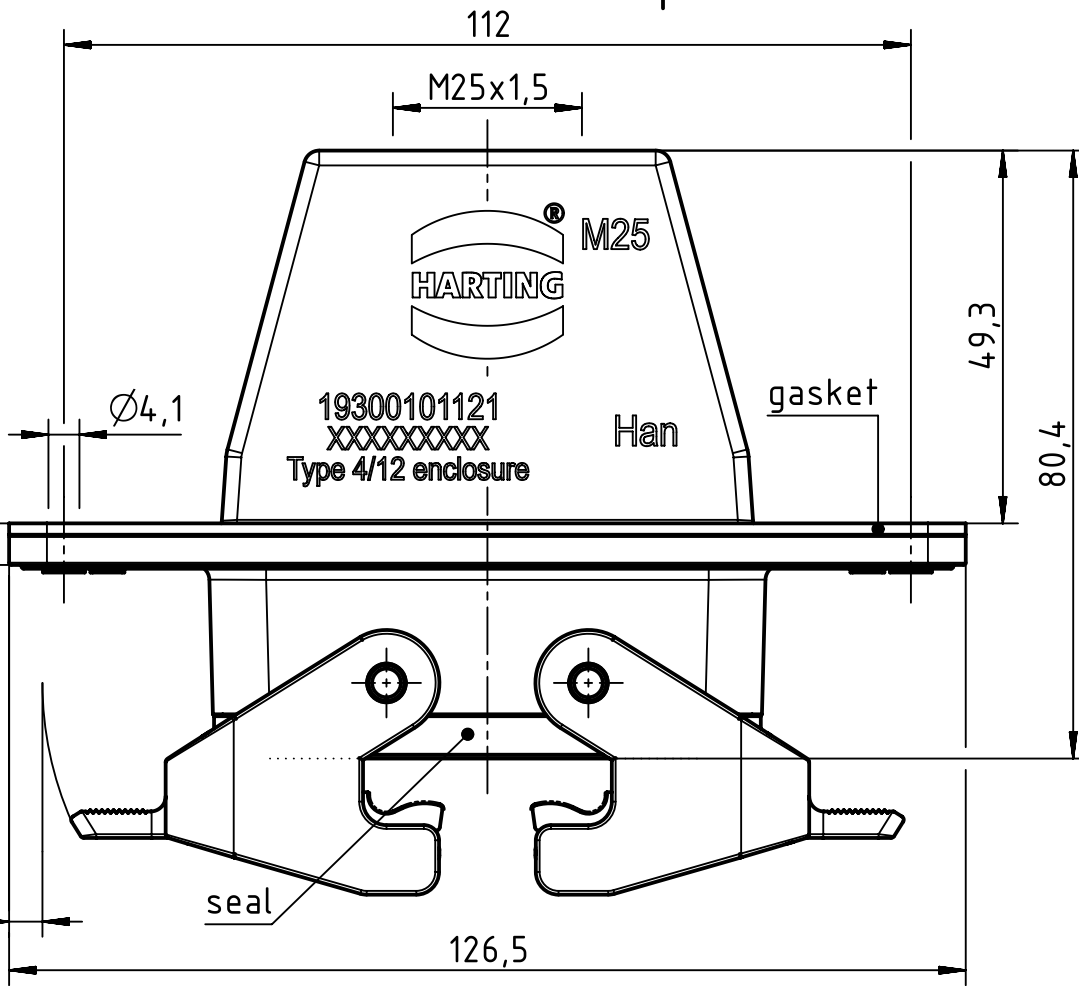


A

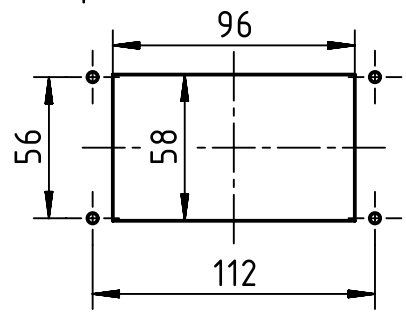
B

C

D



panel cut out (1:3)



	All rights reserved Department EL PD	All Dimensions in mm Original Size DIN A4		Scale 1:1	Free size tol.	Ref. Sub.
		HARTING (Zhuhai) Manufacturing Co., Ltd. 519085 Zhuhai, China	Created by LONGL	Inspected by HEW	Standardisation RUETERA	Date 2018-05-25
Title Han 10B HTE M25 PFT DL						Doc-Key / ECM-Nr. 100733569/UGD/001/B 500000135548
Type TB					Number 19 30 010 1121	Rev. B
						Page 1/1