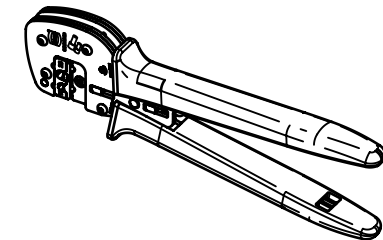
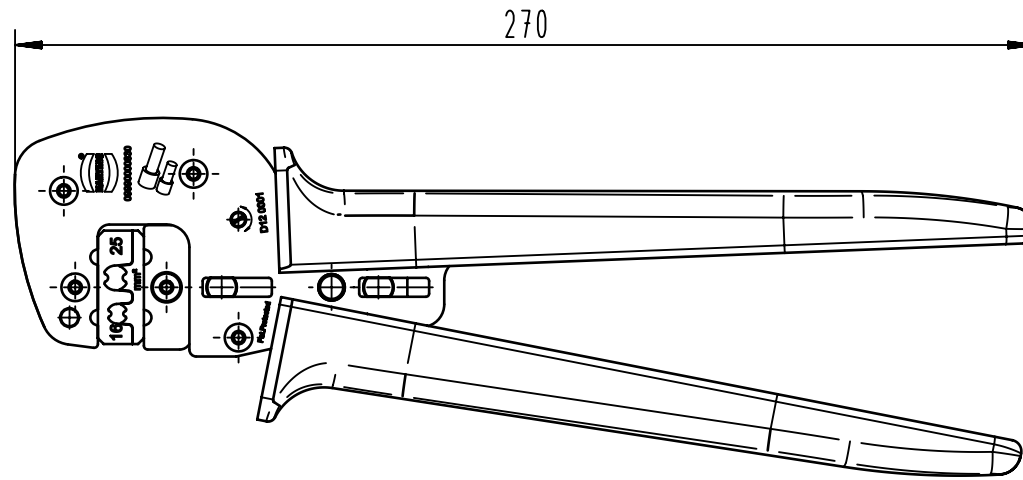


A

B


C

D



Cross section range:

Profil 1 16mm² / AWG 6
 Profil 2 25mm² / AWG 4

	All rights reserved Department EL PD - DE	All Dimensions in mm Original Size DIN A4	Scale 1:2	Free size tol.	Ref. Sub.
	HARTING Electric GmbH & Co. KG D-32339 Espelkamp	Created by GRUBES	Inspected by SCHNIEDER	Standardisation SCHMIDTM	Date 2012-08-14
Title Ferrule crimp tool 16 / 25qmm					Doc-Key / ECM-Nr. 100507496/UGD/001/B
Type TB		Number 09 99 000 0830			Rev. B
					Page 1/1