

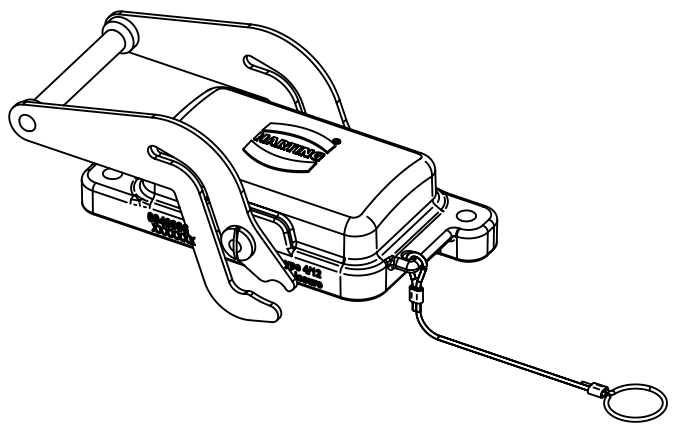
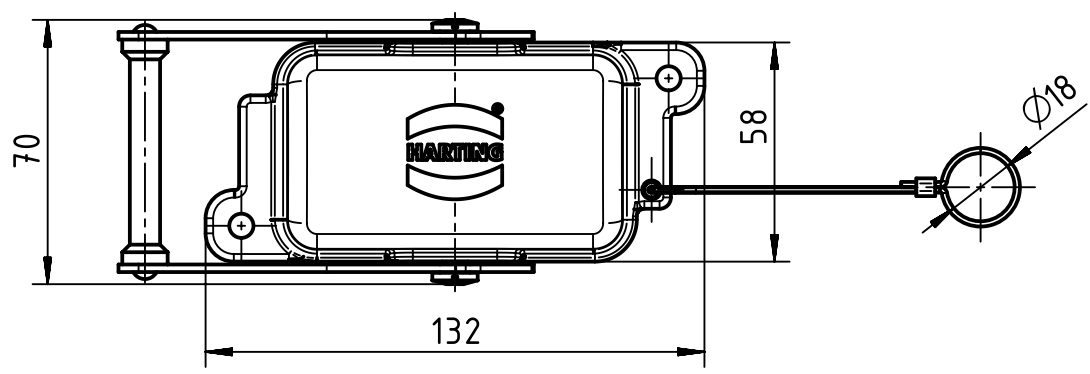
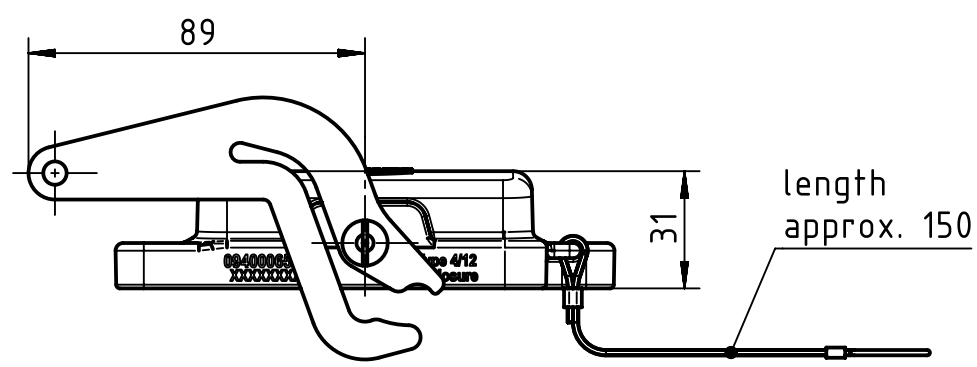
1 2 3 4 5 6

A

B

C

D



	All Dimensions in mm Original Size DIN A4		Scale 1:2		Free size tol.		Ref. Sub. TB 09 40 006 5401 v. 26.11.09		
		All rights reserved Department EL PD - DE		Created by HOLLERT	Inspected by SUNDERMEIER	Standardisation RUETERA	Date 2016-12-12	State Final Release	
HARTING Electric GmbH & Co. KG D-32339 Espelkamp			Title Han 6HPR cover-CL with cord				Doc-Key / ECM-Nr. 100700659/UGD/005/A 500000112009		
				Type TB	Number 09 40 006 5483			Rev. A	Page 1/1