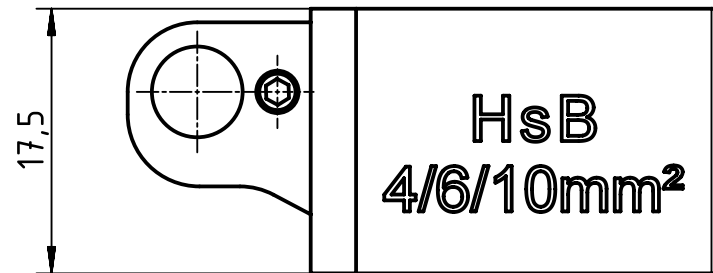
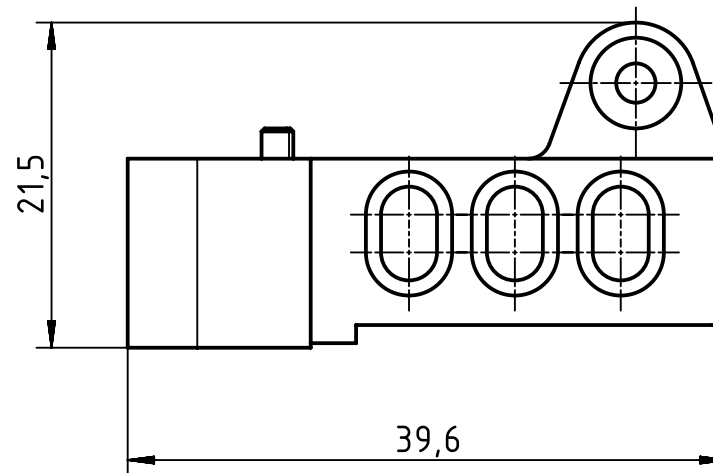


1 2 3 4 5 6

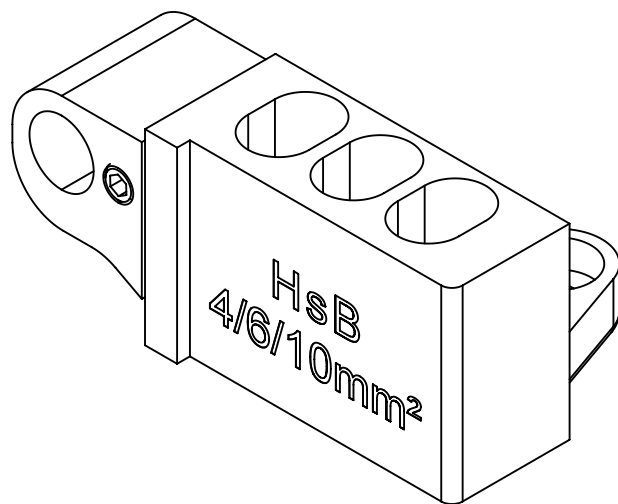
A



B



C



D

Coating	A=	mm <sup>2</sup>	V=	mm <sup>3</sup>	m=	g	Mat.	
	All Dimensions in mm Original Size DIN A4		Scale 2:1	Free size tol.			Ref.	
	All rights reserved Department EL PD		Created by FINKEV	Inspected by RIEPE	Standardisation RUETERA	Date 2020-04-15	State Final Release	
HARTING Electric GmbH & Co. KG D-32339 Espelkamp			Title Locator Han HsB 4/6/10 mm <sup>2</sup> f. 0377				Doc-Key / ECM-Nr. 100887958/UGD/001/A 500000170418	
			Type TB	Number 09 99 000 0985			Rev. A	Page 1/1