

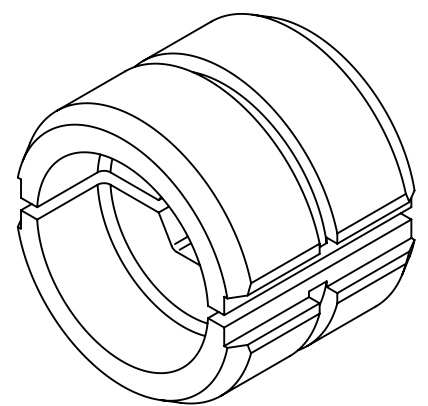
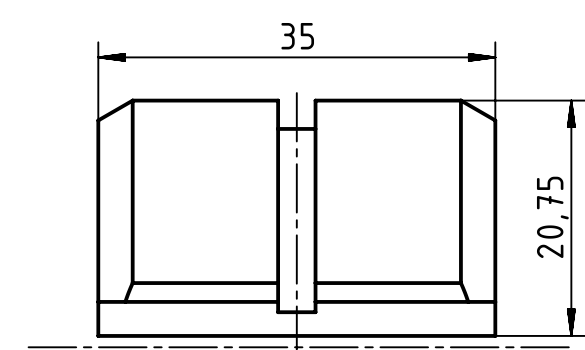
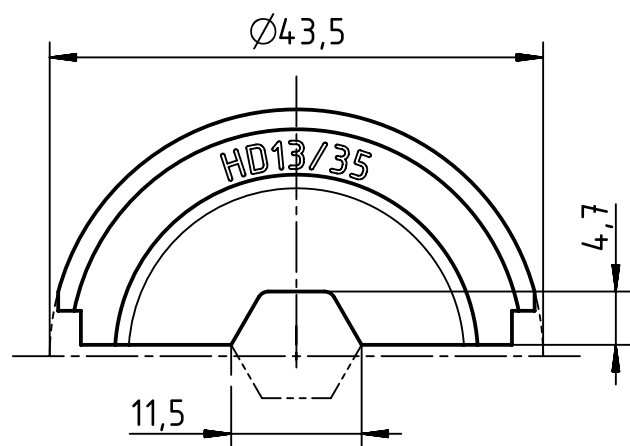
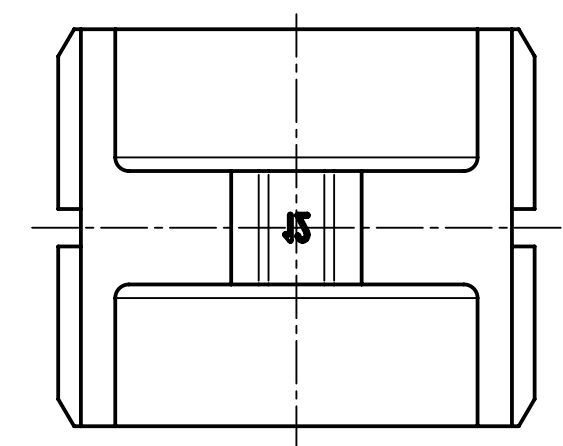
1 2 3 4 5 6

A


B

C

D



Scope of delivery 2 crimp dies

	All rights reserved Department EL PD - DE HARTING Electric GmbH & Co. KG D-32339 Espelkamp	All Dimensions in mm Original Size DIN A4		Scale 1.5:1	Free size tol.	Ref.	Sub.
		Created by HOLLERT	Inspected by RIEPE	Standardisation TIEMANNA	Date 2014-11-21	State Final Release	Doc-Key / ECM-Nr. 100587217/UGD/002/B 500000081874
Title Crimp die 35mm ² for 120 kN tool						Rev. B	Page 1/1
Type TB		Number 09 99 000 0865					