

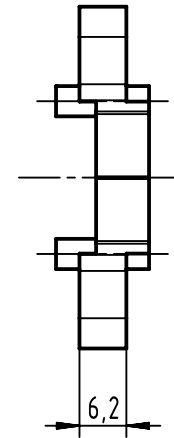
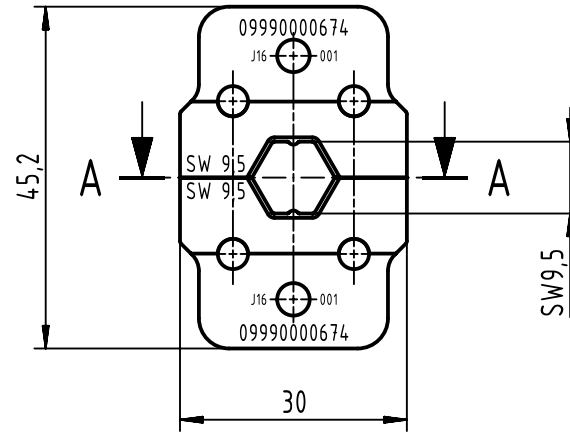
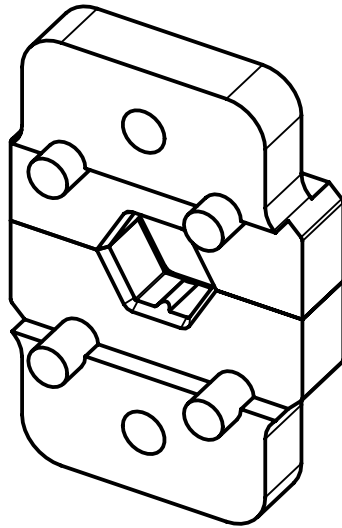
1 2 3 4 5 6

A

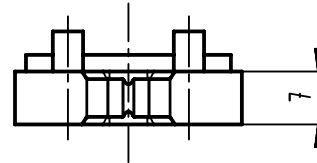
B


C

D



A-A



	All rights reserved Department EL PD	Created by WAERMKER		Inspected by HAERTLING		Standardisation 302077		Date 2021-04-29		State Final Release	
		Title Crimp inserts 9,5 for tool 09990000647								Doc-Key / ECM-Nr. 100723283/UGD/002/A 500000194278	
HARTING D-32339 Espelkamp		Type TB		Number 09990000674				Rev. A		Page 1/1	