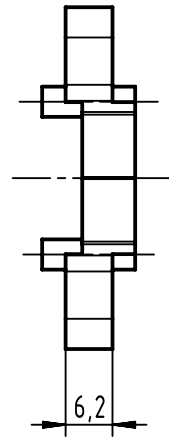
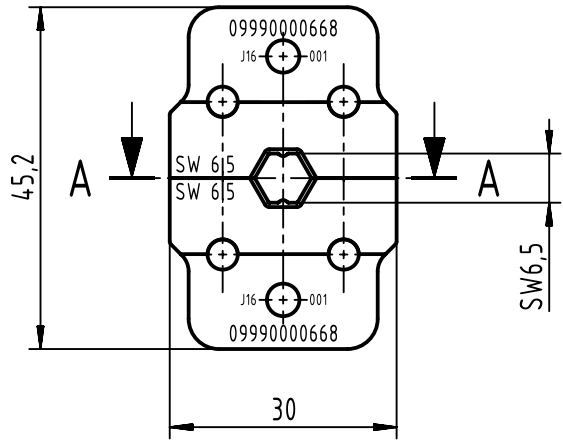
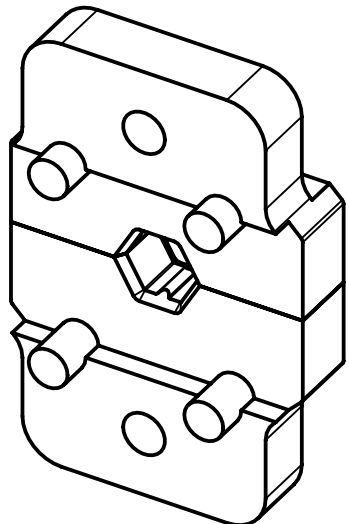
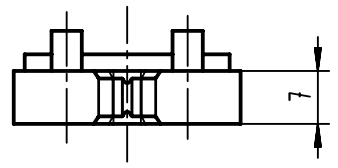


1 2 3 4 5 6

A  
B  
C  
D



A-A



	All Dimensions in mm Original Size DIN A4		Scale 1:1	Free size tol.		Ref. Sub.	
		All rights reserved	Created by WAERMKER	Inspected by HAERTLING	Standardisation 302077	Date 2021-04-29	State Final Release
Department EL PD		Title Crimp inserts 6,5 for tool 09990000647				Doc-Key / ECM-Nr. 100723210/UGD/003/A 500000194278	
HARTING D-32339 Espelkamp		Type TB	Number 09990000668			Rev. A	Page 1/1