

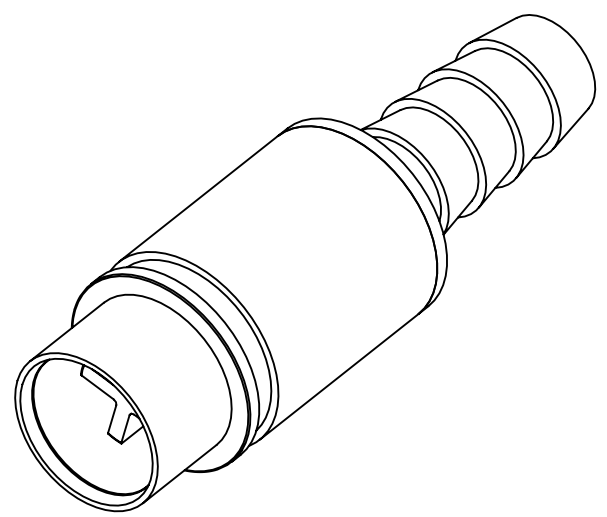
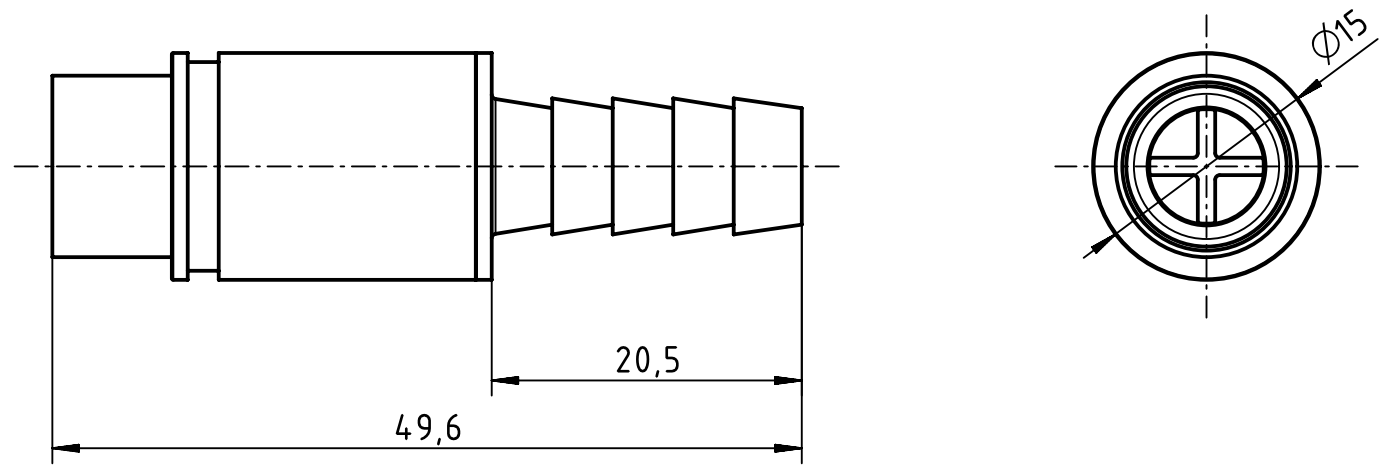
1 2 3 4 5 6


A

B

C

D



	All Dimensions in mm Original Size DIN A4		Scale 2:1	Free size tol.		Ref.
	All rights reserved Department EL PD		Created by HEW	Inspected by WANGSTE	Standardisation 302077	Date 2021-01-12
HARTING Electric GmbH & Co. KG D-32339 Espelkamp			Title Pneum.contact metal ID 8mm,female+valve			Doc-Key / ECM-Nr. 100891656/UGD/001/A 500000186830
			Type TB	Number 09 14 000 6418		Rev. A Page 1/1