

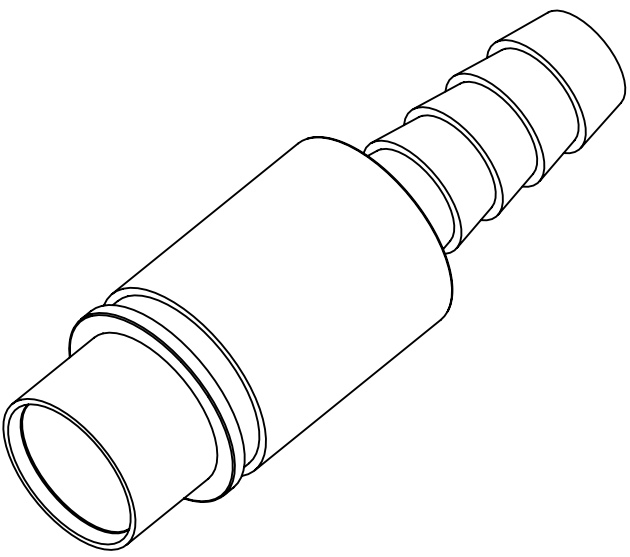
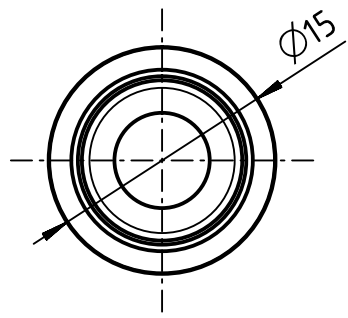
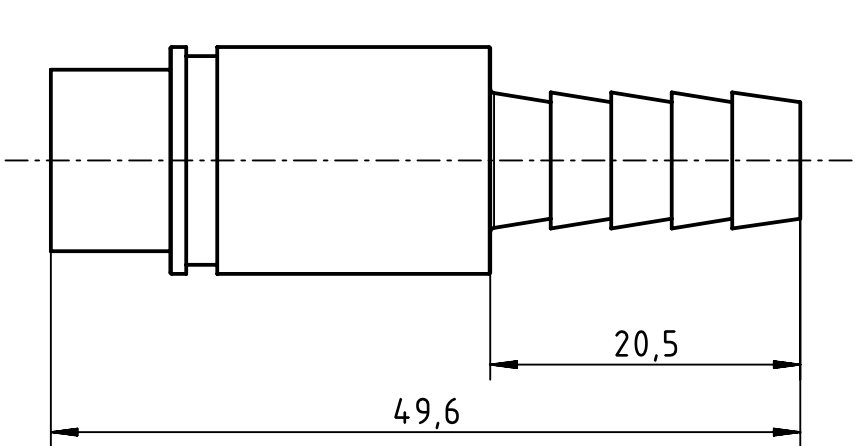
1 2 3 4 5 6


A

B

C

D



	All rights reserved Department EL PD	All Dimensions in mm Original Size DIN A4	Scale 2:1	Free size tol.		Ref.	
		HARTING Electric GmbH & Co. KG D-32339 Espelkamp	Created by HEW	Inspected by WANGSTE	Standardisation 302077	Date 2021-01-12	State Final Release
		Title Pneum. contact metal ID 8mm, female				Doc-Key / ECM-Nr. 100892996/UGD/001/A 500000186830	
		Type TB	Number 09 14 000 6408			Rev. A	Page 1/1