

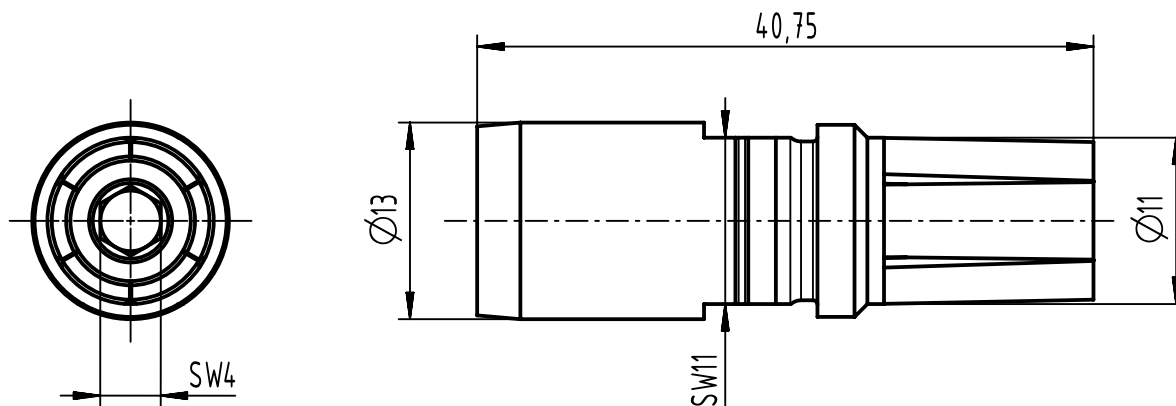
1 2 3 4 5 6

A

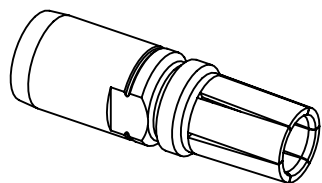
B

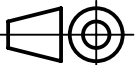

C

D



stripping length: 13 mm
 wire gauge: 38 mm²
 tightening torque: 8 Nm
 for stranded wire 38 mm², AWG 1, fine wire



Coating	A=	mm ²	V=	mm ³	m=	g	Mat.
	All Dimensions in mm Original Size DIN A4		Scale 2:1	Free size tol.			Ref.
	All rights reserved Department EL PD		Created by 00103855	Inspected by 3236	Standardisation	Date 2024-03-07	State Final Release
HARTING D-32339 Espelkamp			Title Han TC100-F-ax 38qmm			Doc-Key / ECM-Nr. 100607618/UGD/003/C 500000250971	
			Type TB	Number 09 11 000 6294			Rev. C Page 1/1