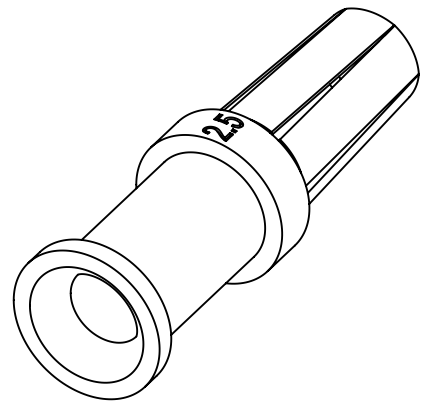



wire gauge: 2,5mm² / AWG 14
 stripping length: 6,5mm
 coating: gold plated



	All rights reserved		Created by	Inspected by	Standardisation	Date	State
	Department EL PD - DE		HELLMANN	RIEPE	RUETERA	2017-09-25	Final Release
HARTING Electric GmbH & Co. KG D-32339 Espelkamp			Title Han-Yellock F-c 2.5mm ² (Au)			Doc-Key / ECM-Nr. 100523605/UGD/001/C 500000125260	
			Type	Number		Rev.	Page
			TB	11 05 000 6226		C	1/1