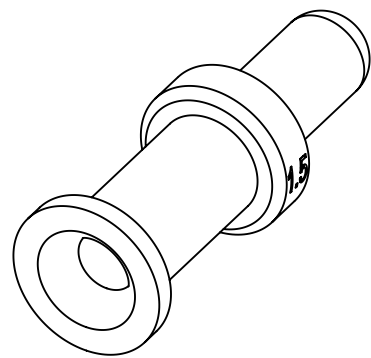
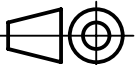



wire gauge: 1,5mm² / AWG 16
 stripping length: 6,5mm
 coating: gold plated



 All Dimensions in mm Original Size DIN A4	Scale	Free size tol.			Ref.
	10:1				Sub.
 All rights reserved Department EL PD - DE	Created by	Inspected by	Standardisation	Date	State
	HOLLERT	RIEPE	TIEMANNA	2013-11-28	Final Release
HARTING Electric GmbH & Co. KG D-32339 Espelkamp	Title Han-Yellock crimp contact male 1.5mm ²				Doc-Key / ECM-Nr. 100523780/UGD/001/B 500000068615
	Type	Number			Rev.
TB	11 05 000 6125			B	1/1