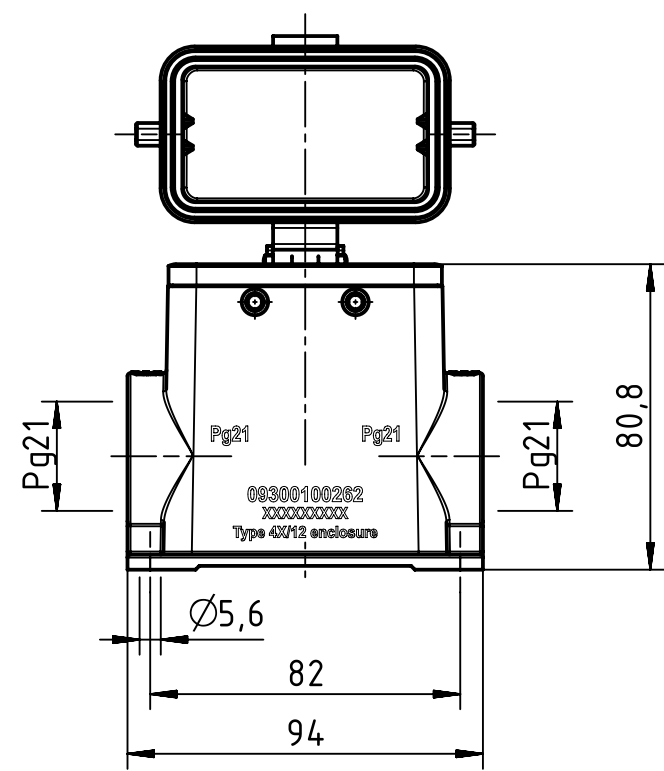
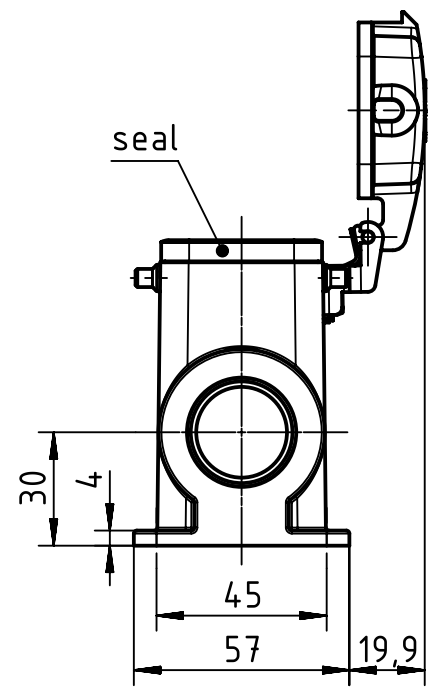
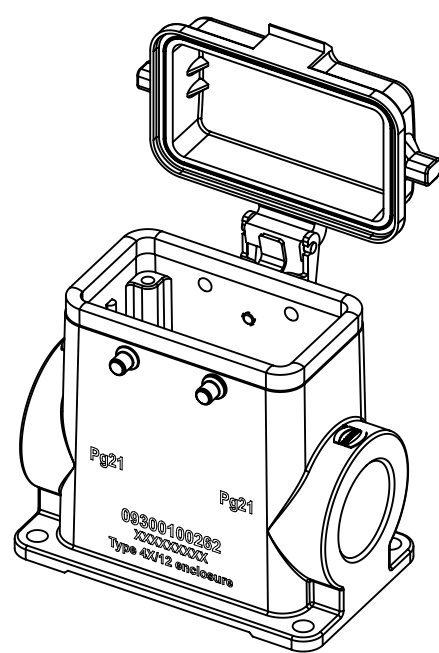


A

B

C

D



	All Dimensions in mm Original Size DIN A4		Scale 1:2	Free size tol.		Ref.
						Sub.
	All rights reserved		Created by SPRENB	Inspected by GERB	Standardisation GARSKE	Date 2019-12-04
	Department EL PD					State Final Release
HARTING Electric GmbH & Co. KG D-32339 Espelkamp			Title Han 10B-asg2-K-21			Doc-Key / ECM-Nr. 100208937/UGD/004/C 500000161045
			Type TB	Number 09 30 010 0262		Rev. <b>C</b>
						Page 1/1