

1 2 3 4 5 6

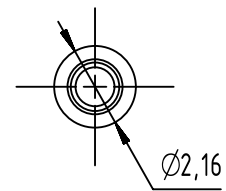
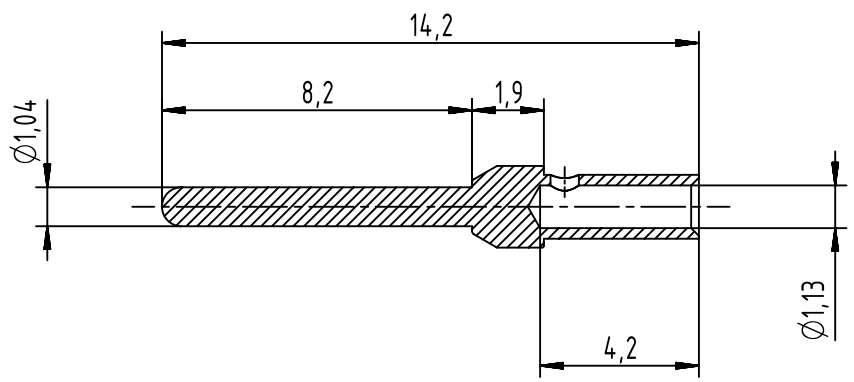
A

B

C

D

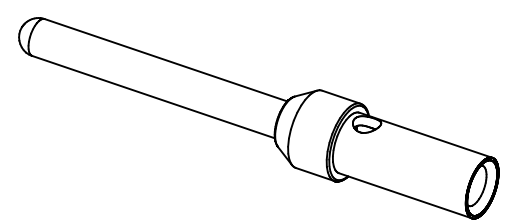
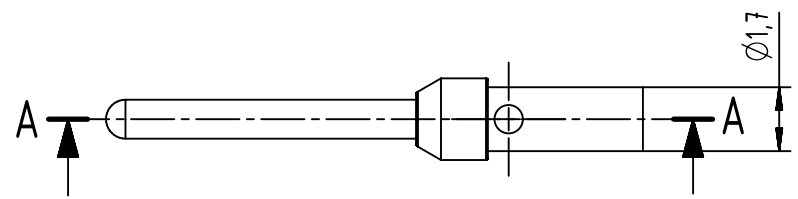
A-A




Crimping of AWG 20-24:

hand tool: 09 99 000 0501

locator: 09 99 000 0531



09 67 000 8576 580	PL1	5000
09 67 000 8576	PL1	100
Part number	Gold plating (over nickel)	Bulk packaging

 All rights reserved Department EC PD - FR HARTING Electronics GmbH D-32339 Espelkamp	All Dimensions in mm Original Size DIN A4	Scale 5:1	Free size tol.	Ref. Sub.
	Created by BOURGEOIS	Inspected by BAGDIKIAN	Standardisation KOHLER	Date 2014-06-18
Title D-Sub, MA AWG 20-24 crimp cont				Doc-Key / ECM-Nr. 100562538/UGD/001/B 500000076079
Type TB		Number 09670008576		Rev. B
				Page 1/1