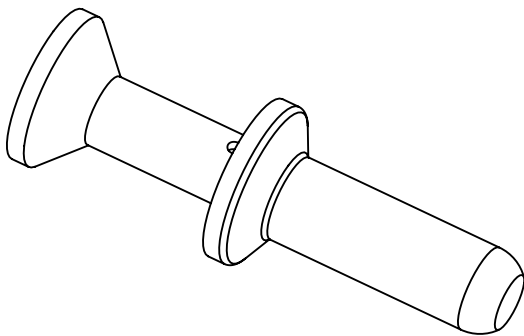


assembly notes see catalog  
 crimp tool 09 99 000 0377 (without locator)  
 for stranded fine wire acc. to VDE 0295 class5/IEC 60228 class 5  
 wire gauge: 6mm<sup>2</sup>  
 stripping length: 15mm



	All Dimensions in mm Original Size DIN A4	Scale	Free size tol.		Ref.	
		2:1			Sub.	
	All rights reserved Department EL PD	Created by	Inspected by	Standardisation	Date	State
		105230	100219		2024-01-25	Final Release
Title					Doc-Key / ECM-Nr.	
Han TC70 male contact 6qmm					100944199/UGD/000/A 500000262564	
HARTING		Type	Number	Rev.		Page
D-32339 Espelkamp		TB	09 11 200 6130	A		1/1