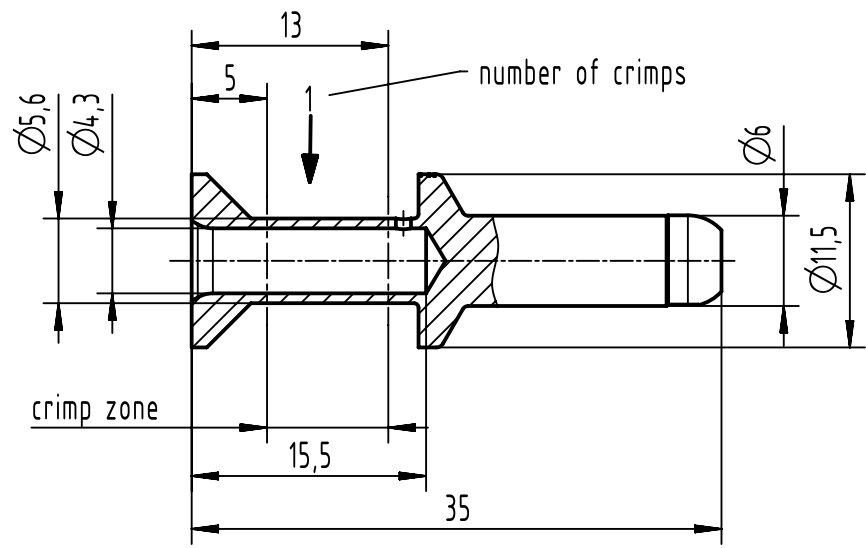


A

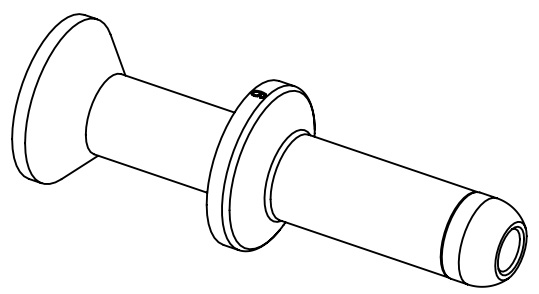
B


C

D



assembly notes see catalog
 crimp zone acc. to DIN EN 46235, indicator 6
 for stranded fine wire acc. to VDE 0295 class 5/IEC 60228 class 5
 wire gauge: 10mm²
 stripping length: 15,5 mm



	All rights reserved Department EL PD	All Dimensions in mm Original Size DIN A4		Scale 2:1	Free size tol.	Ref.
		HARTING D-32339 Espelkamp	Created by HELLMANN	Inspected by BERGHORN	Standardisation	Date 2023-07-19
Title Han TC70 M-contact 10mm ² protected						Doc-Key / ECM-Nr. 100848830/UGD/001/D 500000250256
Type TB				Number 09 11 000 7100		Rev. D
						Page 1/1