

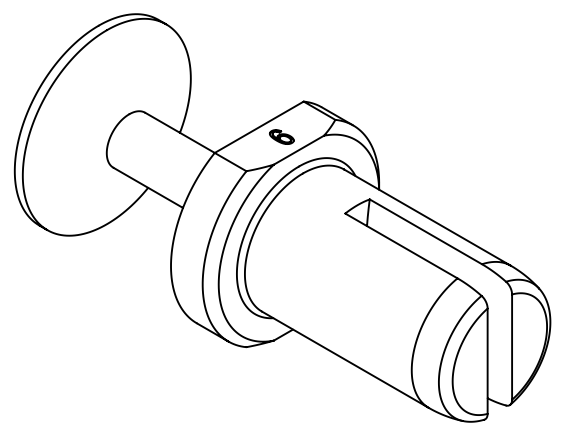
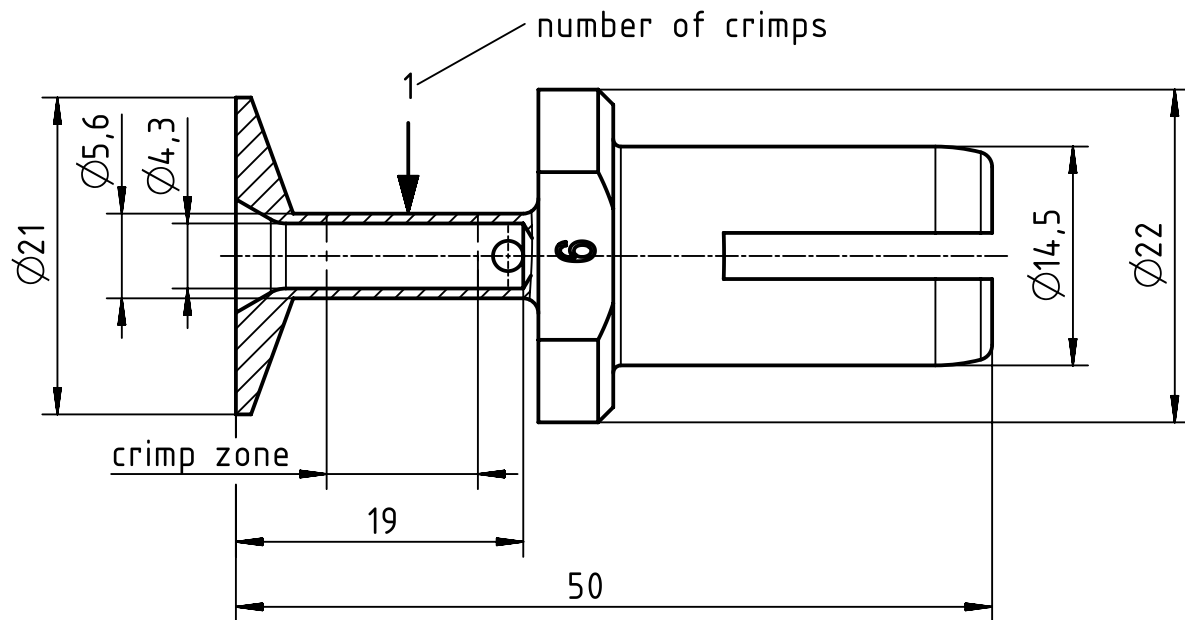
1 2 3 4 5 6

A

B

C

D



assembly notes see catalog  
 crimp zone acc. to DIN EN 46235; indicator 6  
 for stranded fine wire acc. to VDE 0295 class 5/IEC 60228 class 5  
 wire gauge: 10mm<sup>2</sup>  
 stripping length: 19mm

	All Dimensions in mm Original Size DIN A4		Scale 2:1	Free size tol.		Ref.
						Sub.
	All rights reserved		Created by FINKEV	Inspected by SUNDERMEIER	Standardisation RUETERA	Date 2018-12-18
	Department EL PD					State Final Release
HARTING Electric GmbH & Co. KG D-32339 Espelkamp			Title Han TC350 male contact 10sqmm			Doc-Key / ECM-Nr. 100796568/UGD/000/A 500000144940
			Type TB	Number 09 11 000 6550		Rev. A Page 1/1