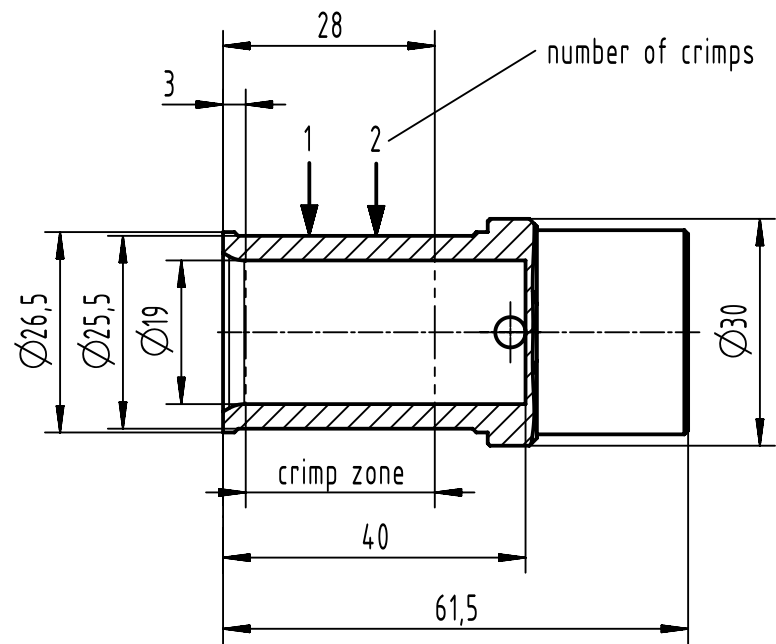


A

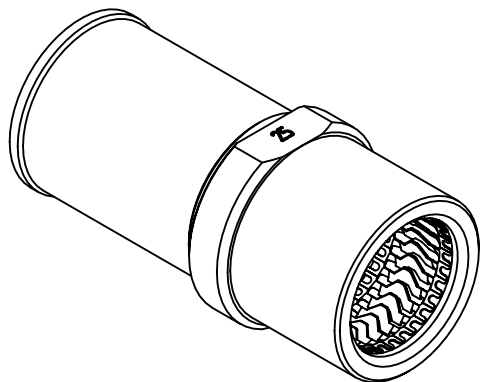
B

C

D



assembly notes see catalogue  
 crimp zone acc. to DIN EN 46235 indicator 25  
 for stranded fine wire acc. to VDE 0295 class 5/ IEC 60228 class 5  
 wire gauge: 185mm<sup>2</sup>  
 stripping length: 42mm



	All Dimensions in mm Original Size DIN A4	Scale	Free size tol.		Ref.	
		1:1			Sub.	
	All rights reserved Department EL PD	Created by	Inspected by	Standardisation	Date	State
		HELLMANN	NICHTERLEIN	SAP_WFRT	2022-07-11	Final Release
HARTING D-32339 Espelkamp		Title Han TC650 female contact 185mm <sup>2</sup>			Doc-Key / ECM-Nr. 100217946/UGD/003/F 500000220842	
		Type	Number		Rev.	Page
		TB	09 11 000 6265		F	1/1