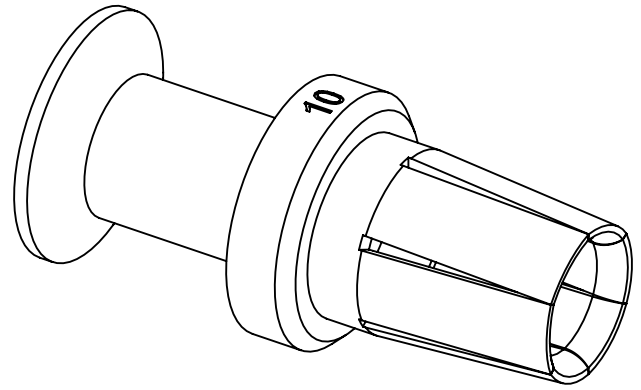


assembly notes see catalog
 crimp zone acc. to DIN EN 46235; indicator 10
 for stranded fine wire acc. to VDE 0295 class 5/IEC 60228 class 5
 wire gauge: 25mm²
 stripping length: 19mm



	All rights reserved Department EL PD	All Dimensions in mm Original Size DIN A4		Scale 2:1	Free size tol.	Ref.
		HARTING D-32339 Espelkamp	Created by HELLMANN	Inspected by NICHTERLEIN	Standardisation SAP_WFRT	Date 2022-10-12
Title Han TC200 Buchsenkontakt 25mm ²						Doc-Key / ECM-Nr. 100182737/UGD/005/D 500000224980
Type TB				Number 09 11 000 6220		Rev. D
						Page 1/1