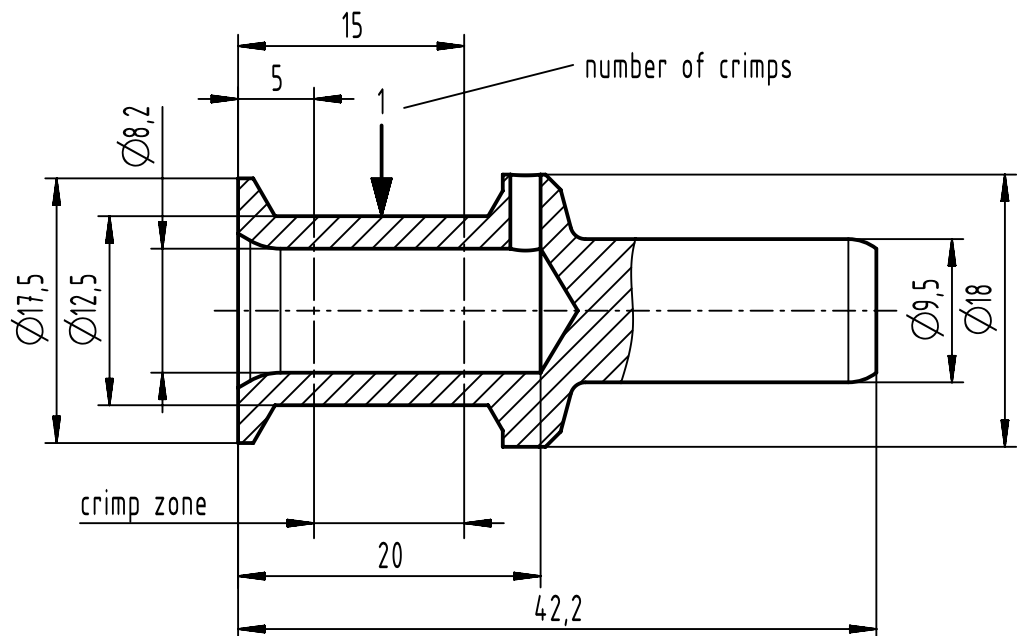


A

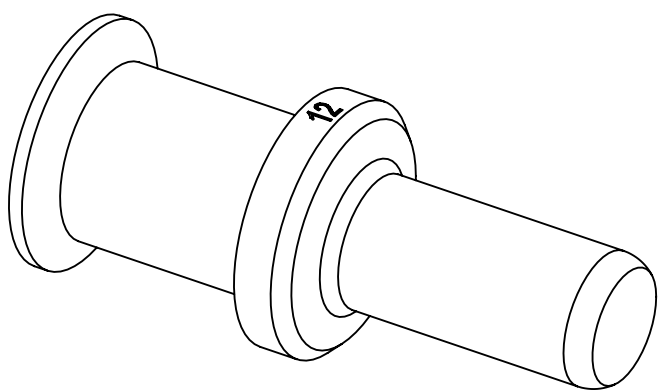
B

C

D



assembly notes see catalog
 crimp zone acc. to DIN EN 46235, indicator 12
 for stranded fine wire acc. to VDE 0295 class5/ IEC 60228 class 5
 wire gauge: 35mm²
 stripping length: 20mm



	All Dimensions in mm Original Size DIN A4		Scale 2:1	Free size tol.		Ref.	
						Sub.	
	All rights reserved		Created by HELLMANN	Inspected by NICHTERLEIN	Standardisation SAP_WFRT	Date 2022-10-12	
	Department EL PD					State Final Release	
HARTING		Title Han TC200 Stiftkontakt 35mm ²				Doc-Key / ECM-Nr. 10018234.9/UGD/005/C 500000224.980	
D-32339 Espelkamp		Type TB	Number 09 11 000 6121			Rev. C	Page 1/1