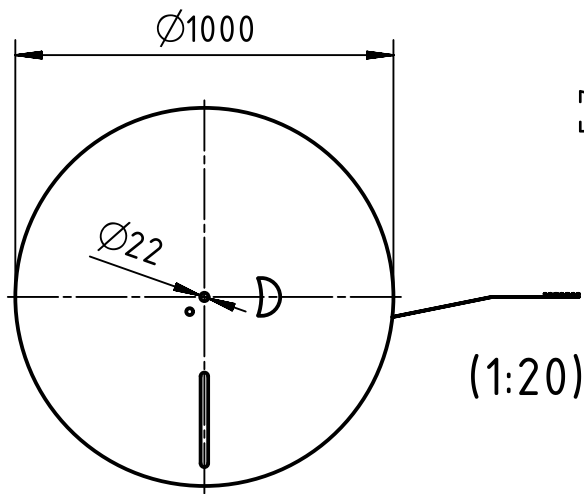
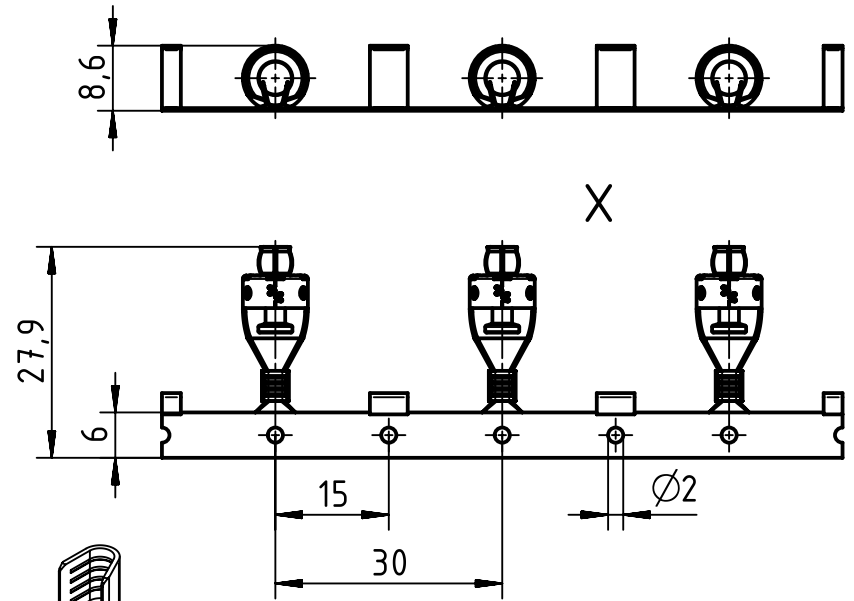
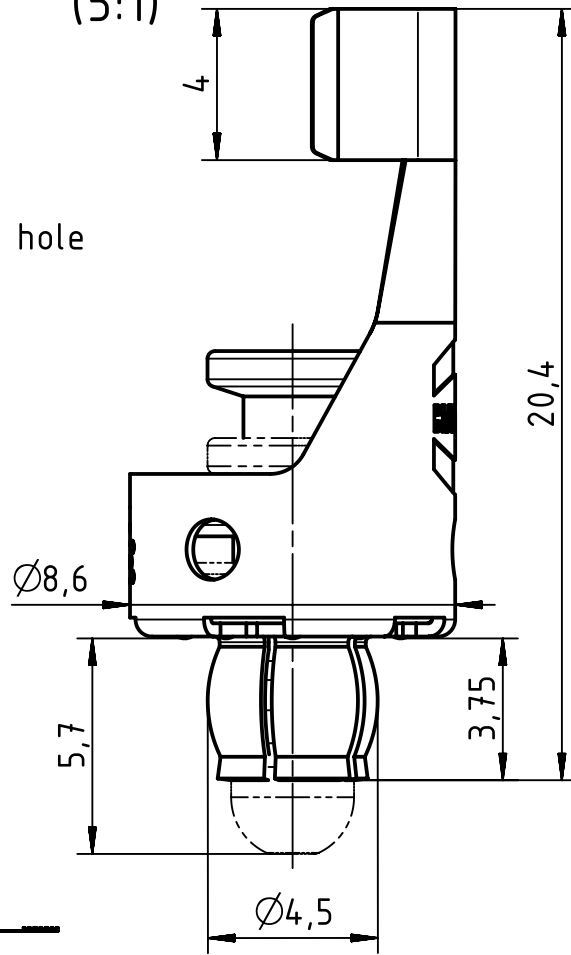
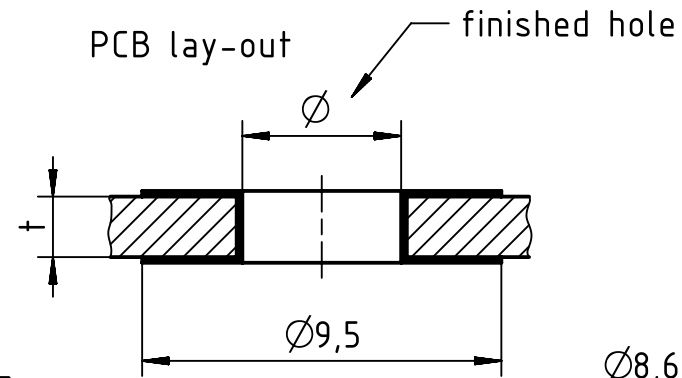


t	∅
1,6-3,2	4,4 $\begin{matrix} +0,05 \\ -0,04 \end{matrix}$

(5:1)



	All rights reserved Department EL PD	All Dimensions in mm Original Size DIN A4		Scale 1:1	Free size tol.	Ref. Sub.	
		Created by DEIMEL	Inspected by SCHNIEDER	Standardisation TIEMANNA	Date 2016-03-30	State Final Release	
HARTING Electric GmbH & Co. KG D-32339 Espelkamp		Title Han-Fast Lock 1,5-2,5mm ² w. pin Ag reel				Doc-Key / ECM-Nr. 100526615/UGD/001/C 500000102451	
		Type TB	Number 09 08 000 6122			Rev. C	Page 1/1